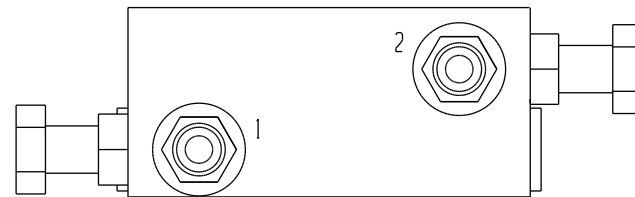
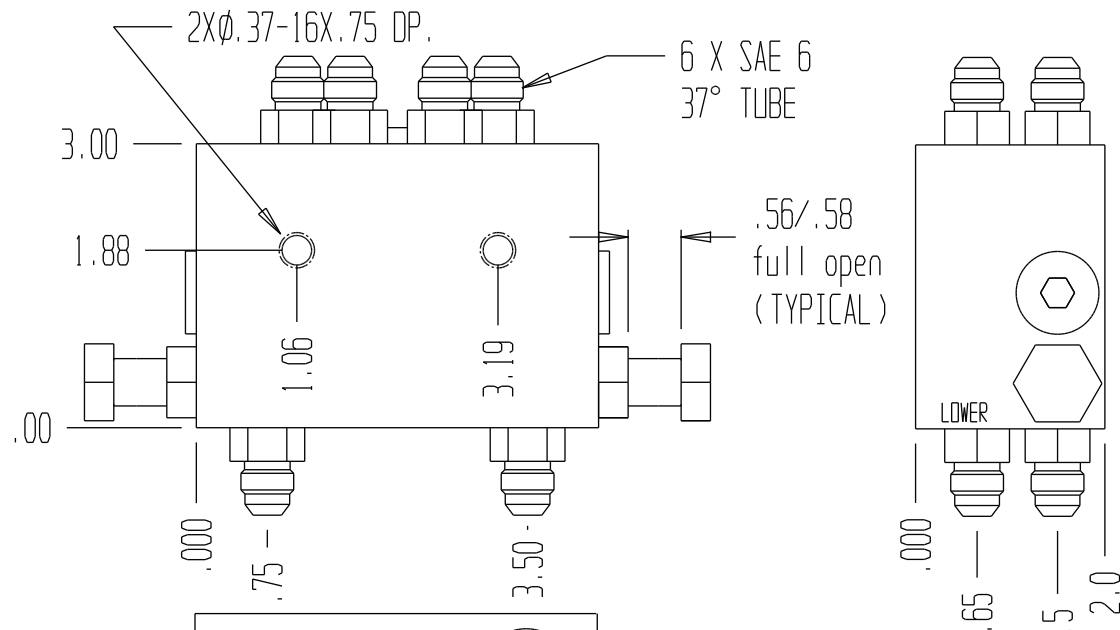
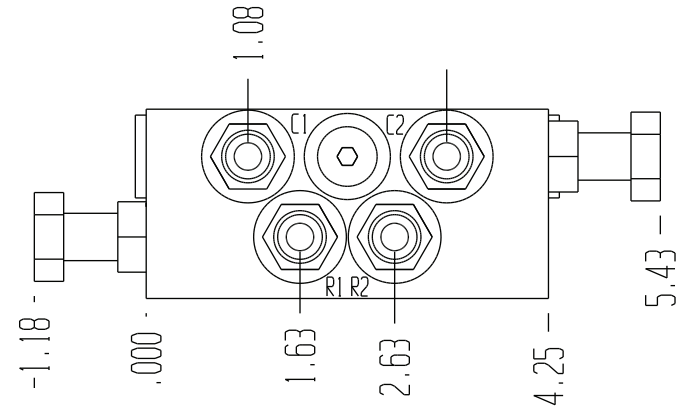
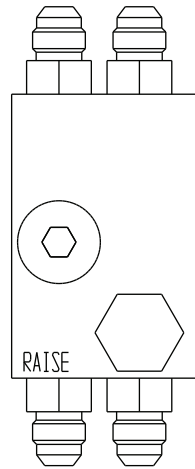
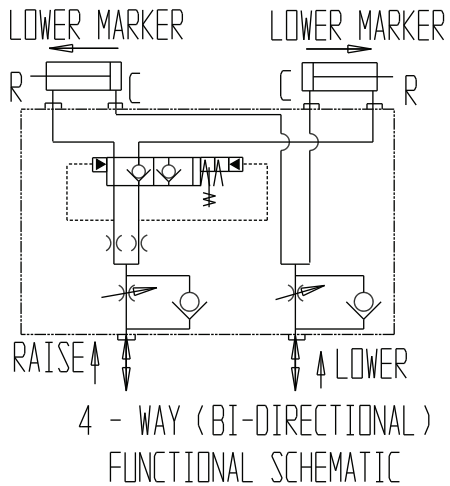


8056-XXX

ORIFICE SIZE	OLD PART #	FLOW RATE
047	8056	1.2-1.5 GPM
055	4130	1.5-2.0 GPM
062	4121	2.0-4.5 GPM
076	4131	4.5-7.5 GPM



ROW MARKER SEQUENCE VALVE. THIS VALVE SEQUENCES ROW MARKERS AND HAS LIMITED FLOW CONTROL. SAE NO. 6 FITTINGS

GENERAL SPECIFICATIONS	
PRESSURE	5,000 PSI WORKING
FLOW RATE	SEE ORIFICE SIZE CHART ABOVE
MEDIA	PETROLEUM MINERAL BASE SAE 20. OTHER BASES MAY REQUIRE SEAL CHANGES.
SEAL KIT	1223
LEAKAGE - MAX.	INTERNAL-5 DROPS/MIN., EXTERNAL-NONE.