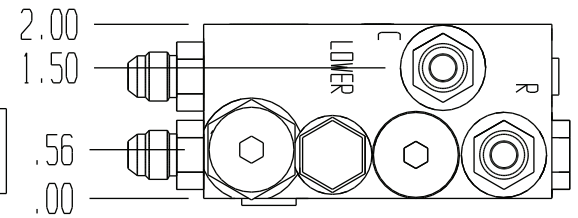
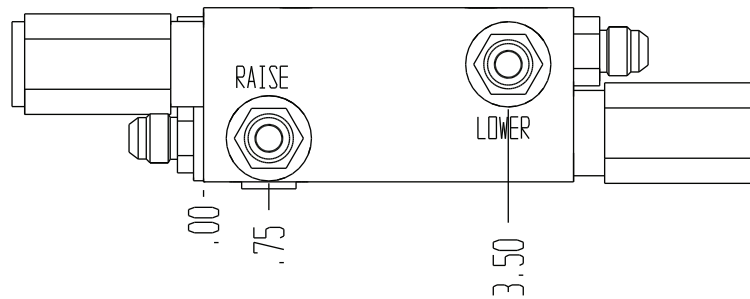
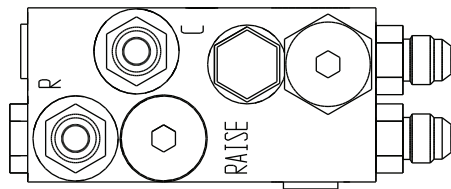
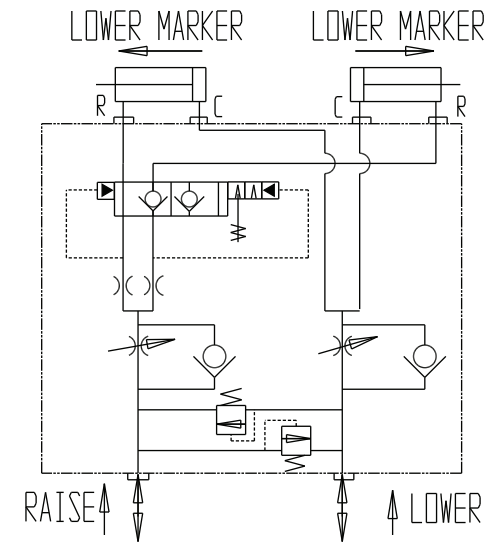
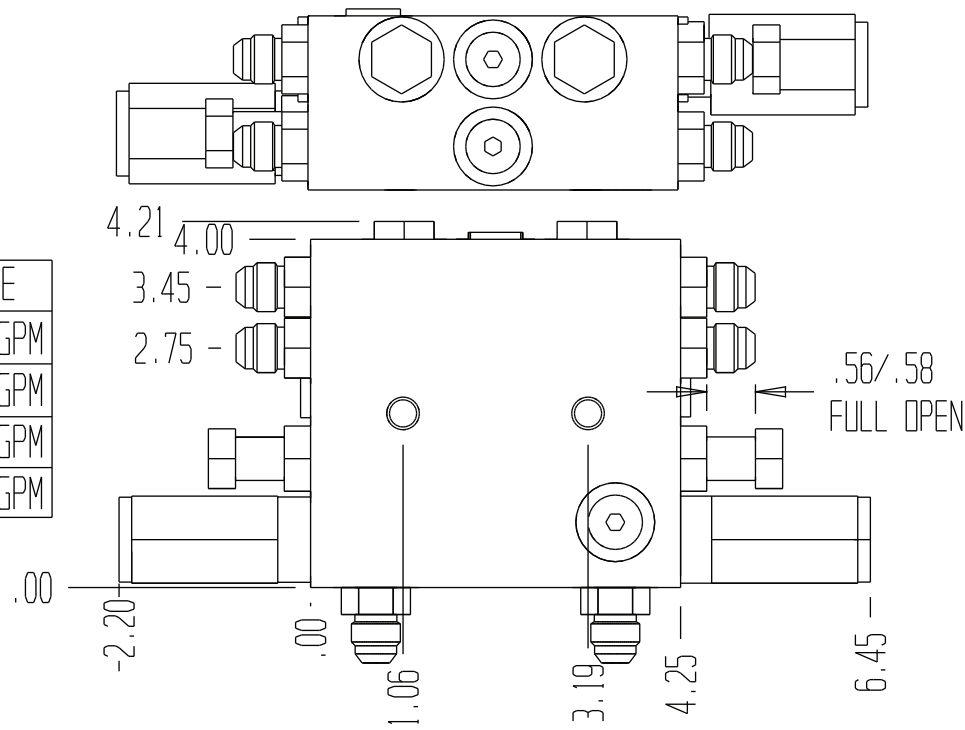


8066-XXX

ORIFICE SIZE	OLD PART #	FLOW RATE
047	8006-1	1.2-1.5 GPM
055	8006-2	1.5-2.0 GPM
062	8006-3	2.0-4.5 GPM
076	8006-4	4.5-7.5 GPM



GENERAL SPECIFICATIONS	
PRESSURE	5,000 PSI WORKING
FLOW RATE	SEE ORIFICE SIZE CHART ABOVE
MEDIA	PETROLEUM MINERAL BASE SAE 20. OTHER BASES MAY REQUIRE SEAL CHANGES.
SEAL KIT	5070, 5266
LEAKAGE MAX.	INTERNAL- 5 DROPS/MIN., EXTERNAL- NONE.

ROW MARKER SEQUENCE VALVE.  
THIS VALVE INCLUDES THE SEQUENCE FUNCTION WITH LIMITED FLOW CONTROL AND SYSTEM CROSSOVER RELIEF.