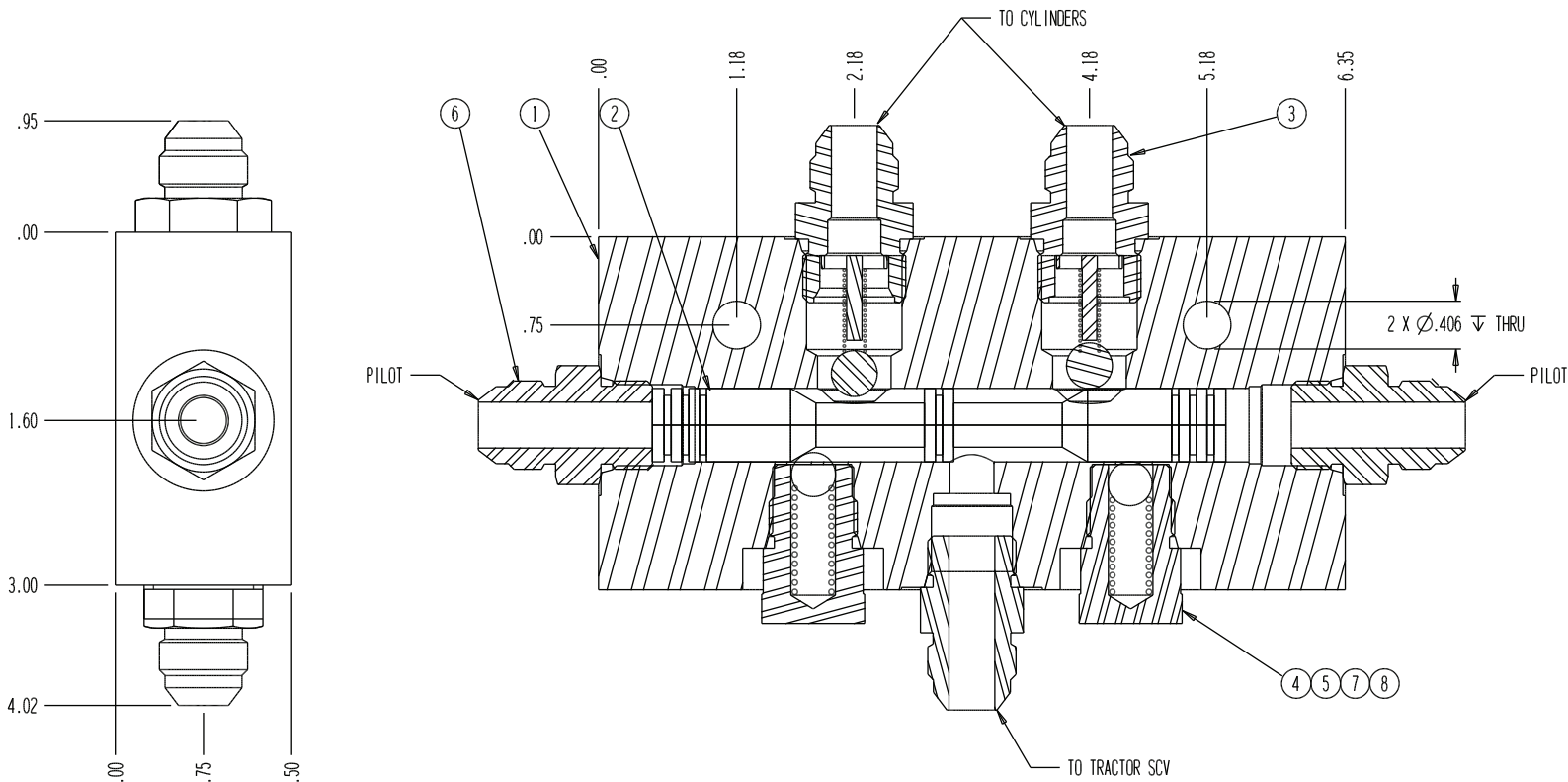
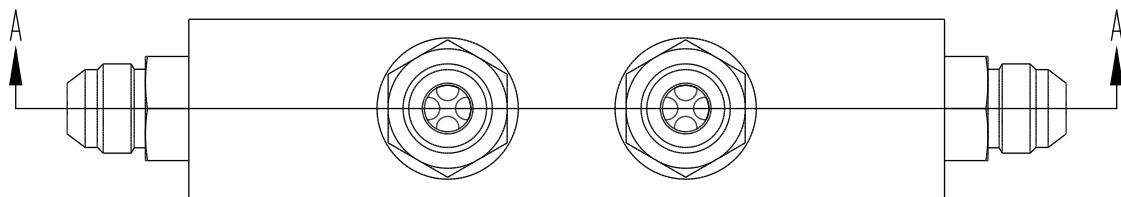
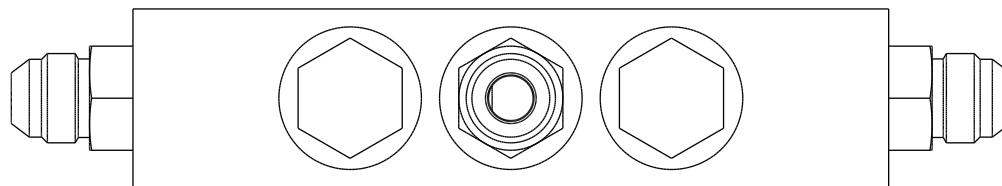


ITEM	QTY	PART NUMBER	DESCRIPTION
1	1	5973	BODY
2	1	5970	SPOOL
3	2	C63-10-8JIC	CARTRIDGE, BALL CHECK
4	2	5248	CAP, DETENT
5	2	1087-375	BALL, CHROMIUM STEEL
6	3	1092-8-8	FITTING, STRAIGHT CONN.
7	2	5419	SPRING
8	2	1402-908	O-RING



ALL CONNECTIONS ARE JIC NO. 8



8291