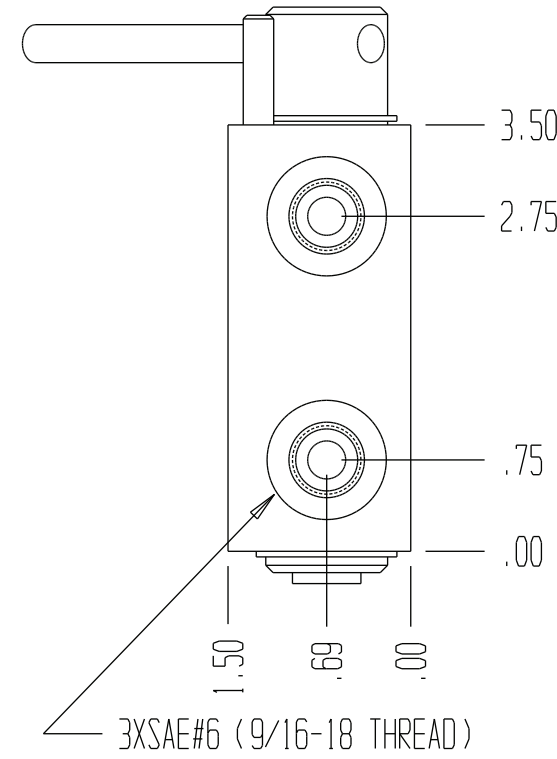
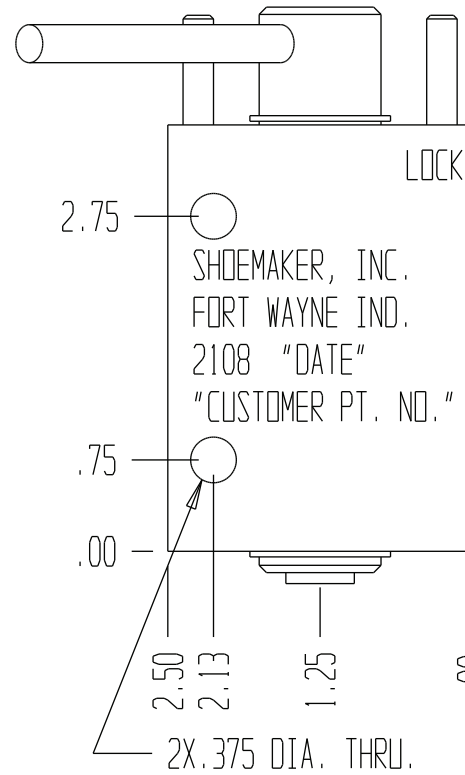
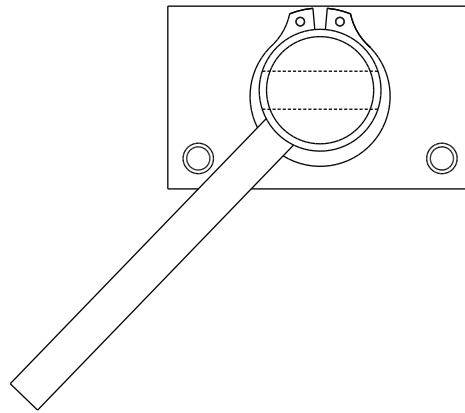
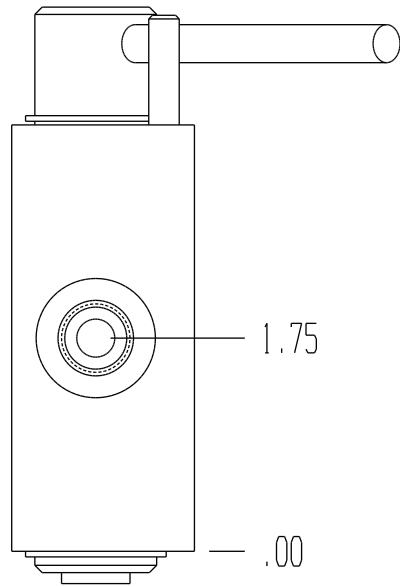
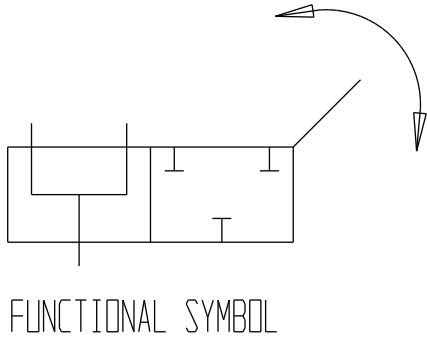


# 2108



GENERAL SPECIFICATIONS	
PRESSURE	5,000 PSI WORKING
FLOW RATE	20 GPM
MEDIA	PETROLEUM MINERAL BASE SAE 20. OTHER BASES MAY REQUIRE SEAL CHANGES.
SEAL KIT	1184
LEAKAGE MAX.	INTERNAL- 5 CUBIC INCHES/MIN., EXTERNAL- NONE.

HYDRAULIC LOCK VALVE  
THIS VALVE IS APPLIED WHERE PARALLEL DEVICES MUST BE HYDRAULICALLY LOCKED IN POSITION SUCH AS THE DOOR ON A FORAGE BALER.