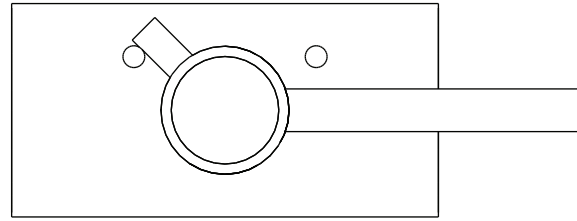
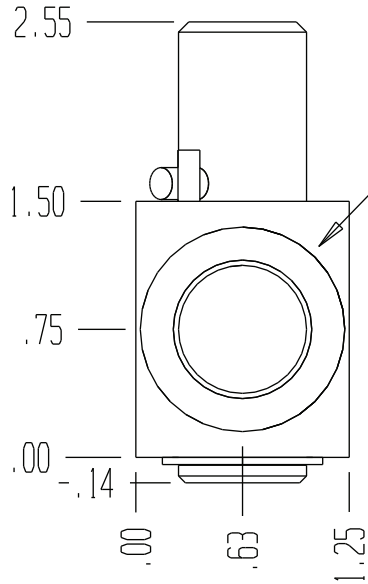
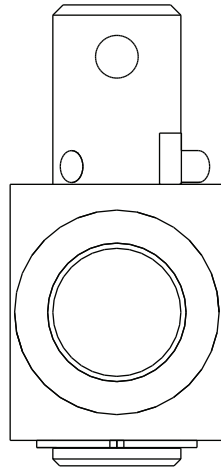
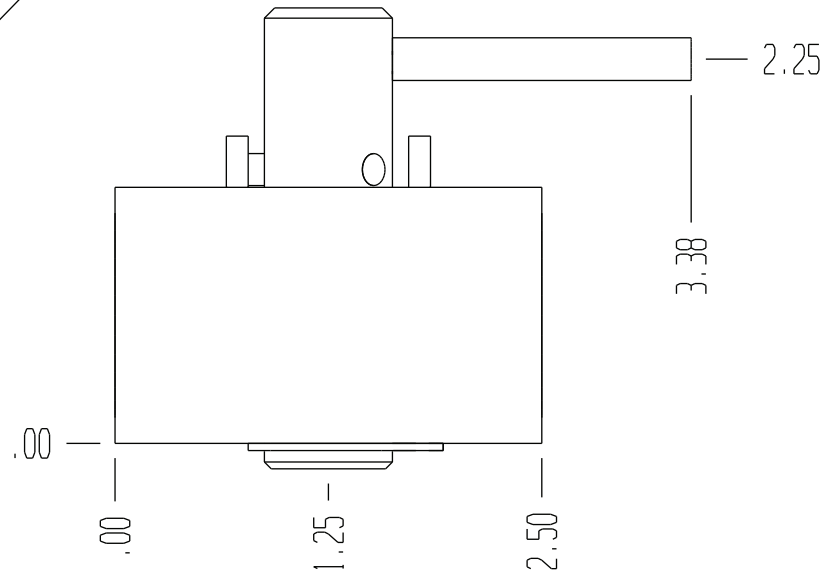


2138

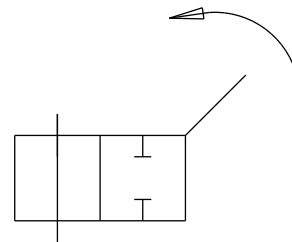
PORTS ARE SAE No. 8 (.75-16) O-RING.



SHOWN IN OPEN POSITION



GENERAL SPECIFICATIONS	
PRESSURE	5,000 PSI WORKING
FLOW RATE	20 GPM
MEDIA	PETROLEUM MINERAL BASE SAE 20. OTHER BASES MAY REQUIRE SEAL CHANGES.
SEAL KIT	5183
LEAKAGE MAX.	INTERNAL- 1 CUBIC INCHES/MIN., EXTERNAL- NONE.



FUNCTIONAL SYMBOL

THIS IS A 90° ROTARY SPOOL, OPEN-CLOSED VALVE FOR SINGLE CIRCUIT IN-LINE APPLICATIONS.