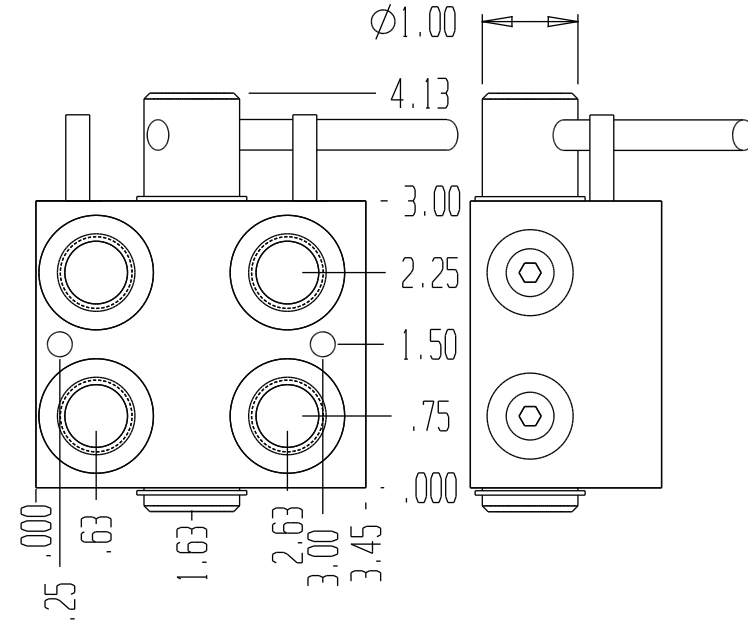
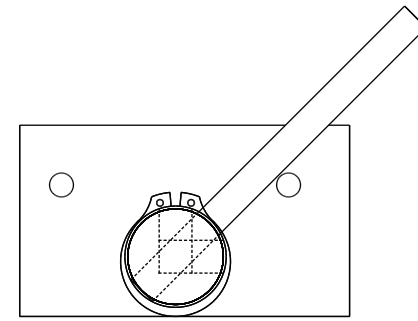
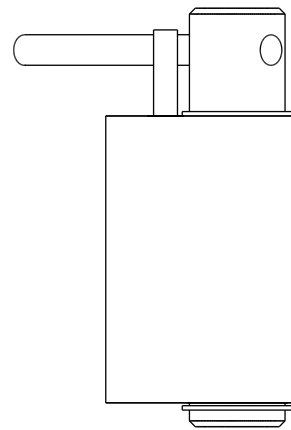
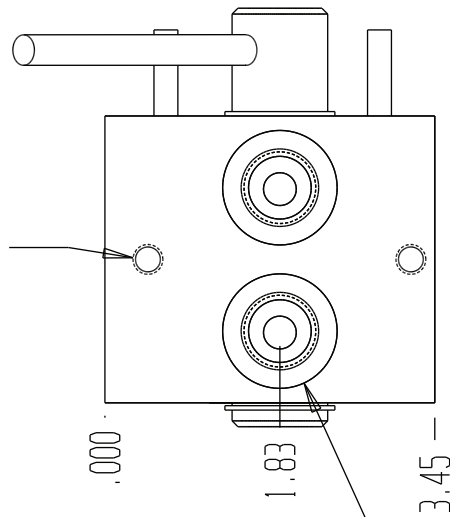


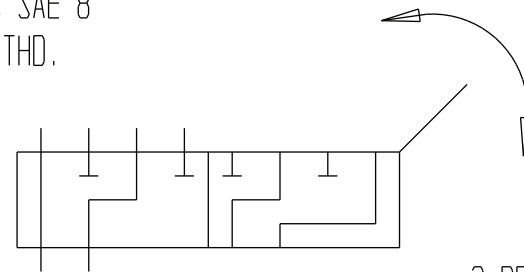
3065

2 MOUNTING HOLES
 .26 DIA. THRU
 .312-18 THD. X 1.0 DP.



6 PORTS SAE 8
 .75-16 THD.

GENERAL SPECIFICATIONS	
PRESSURE	5,000 PSI WORKING
FLOW RATE	20 GPM
MEDIA	PETROLEUM MINERAL BASE SAE 20. OTHER BASES MAY REQUIRE SEAL CHANGES.
SEAL KIT	1184
LEAKAGE MAX.	INTERNAL- 5 CUBIC INCHES/MIN., EXTERNAL- NONE.



FUNCTIONAL SYMBOL

2 POSITION, 2 CIRCUIT SELECTOR VALVE