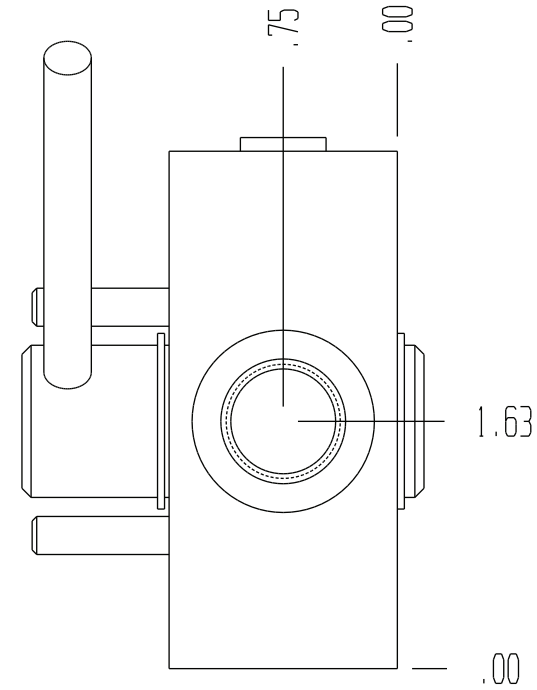
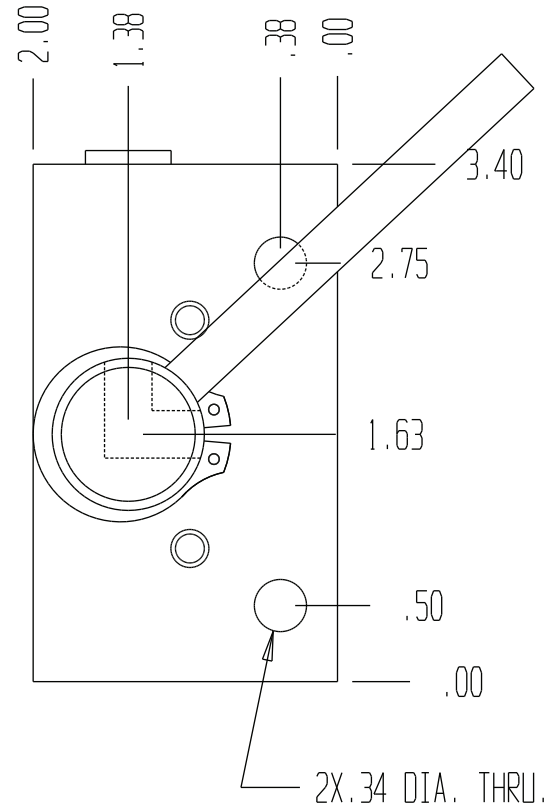
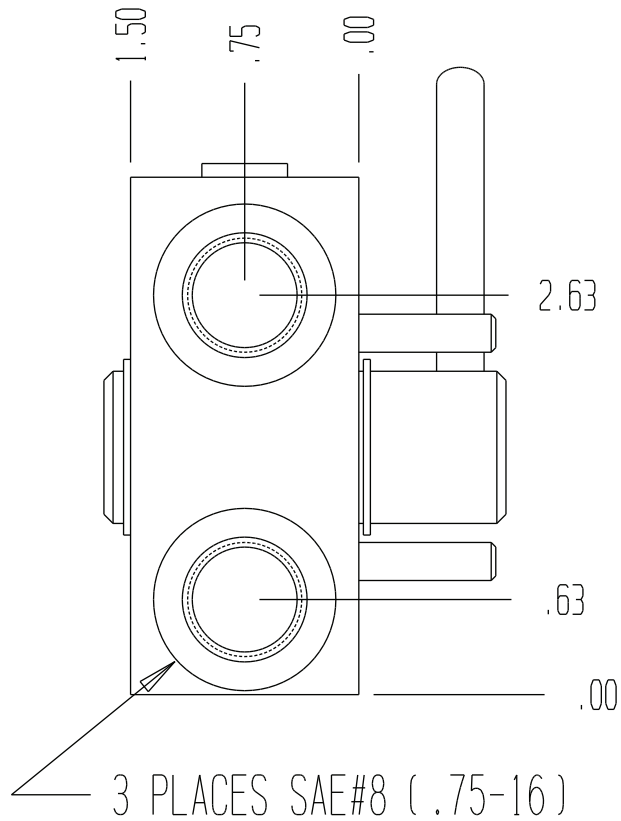
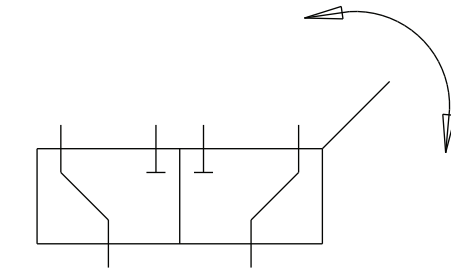


3070



GENERAL SPECIFICATIONS	
PRESSURE	5,000 PSI WORKING
FLOW RATE	20 GPM
MEDIA	PETROLEUM MINERAL BASE SAE 20. OTHER BASES MAY REQUIRE SEAL CHANGES.
SEAL KIT	5183
LEAKAGE MAX.	INTERNAL-1 CUBIC INCHES/MIN., EXTERNAL- NONE.



FUNCTIONAL SYMBOL

THIS 90° ROTARY SPOOL ALLOWS MANUAL SELECTION OF FLOW FROM A SINGLE SOURCE TO EITHER ONE OF TWO.