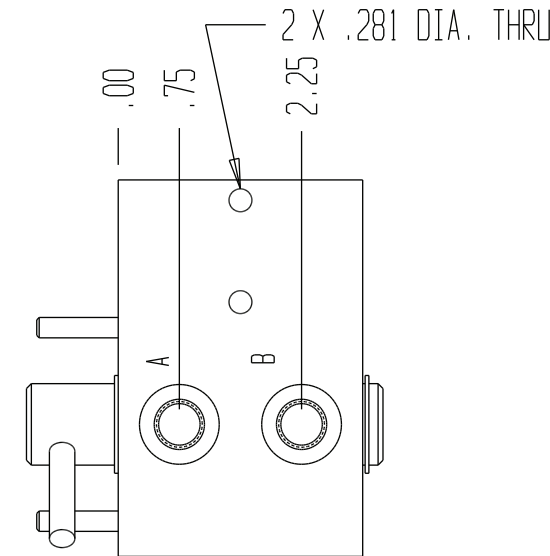
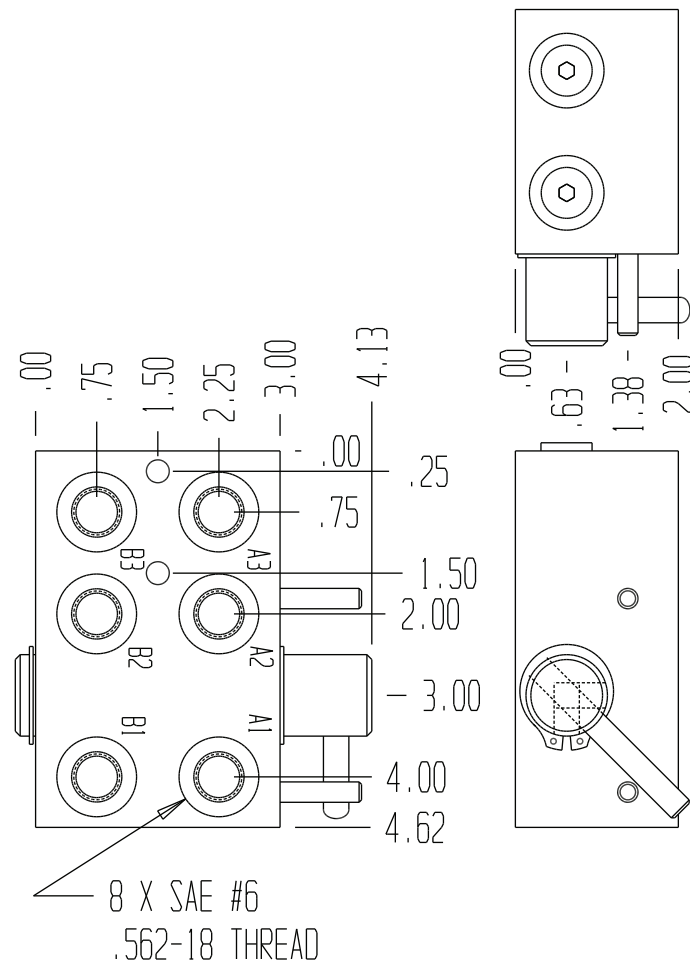
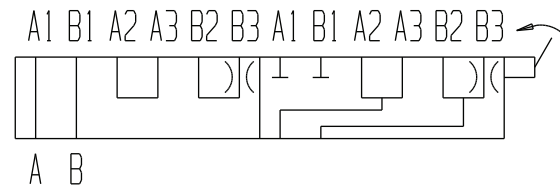


3148



THIS VALVE PROVIDES THE SAME CONTROL AS 3086 EXCEPT THERE IS A CONTROL ORIFICE IN THE B3 PORT.

GENERAL SPECIFICATIONS	
PRESSURE	5,000 PSI WORKING
FLOW RATE	20 GPM
MEDIA	PETROLEUM MINERAL BASE SAE 20. OTHER BASES MAY REQUIRE SEAL CHANGES.
SEAL KIT	1184
LEAKAGE	INTERNAL- 5 CUBIC INCHES/MIN., EXTERNAL- NONE.



FUNCTIONAL SYMBOL