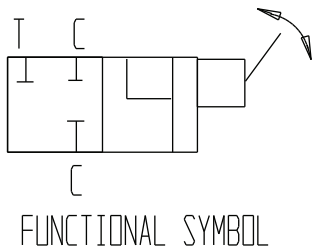
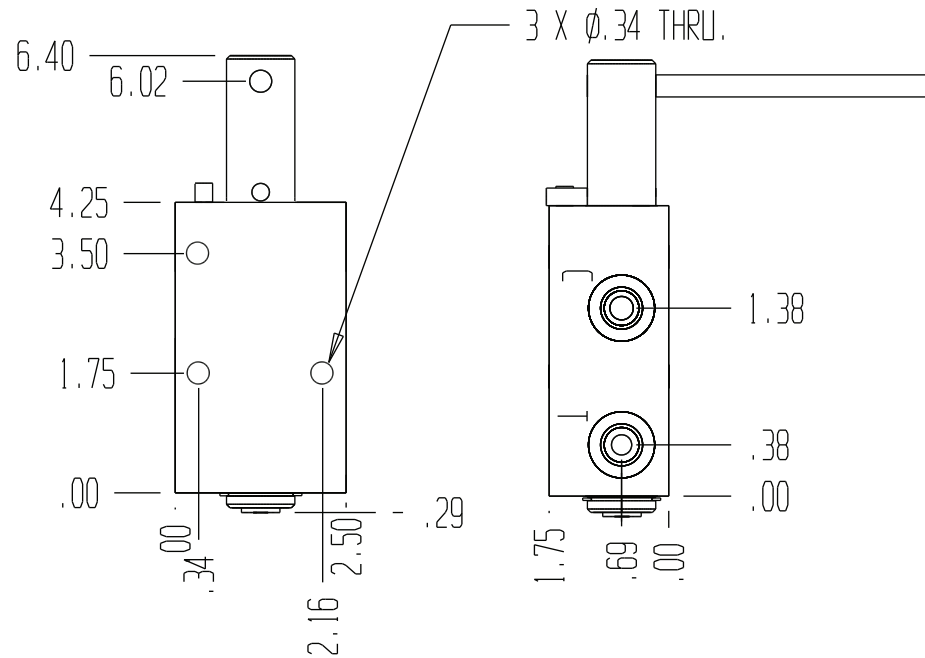
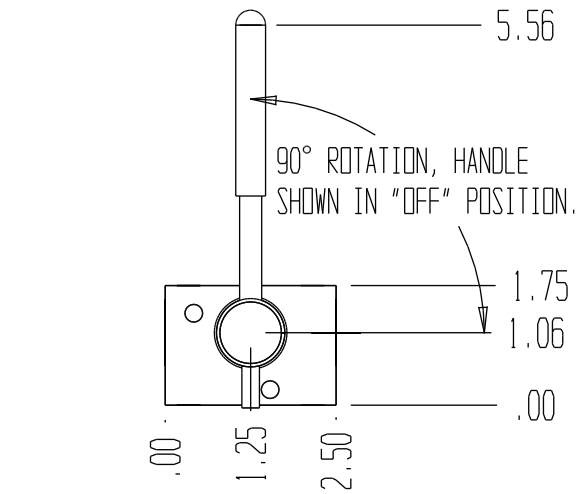
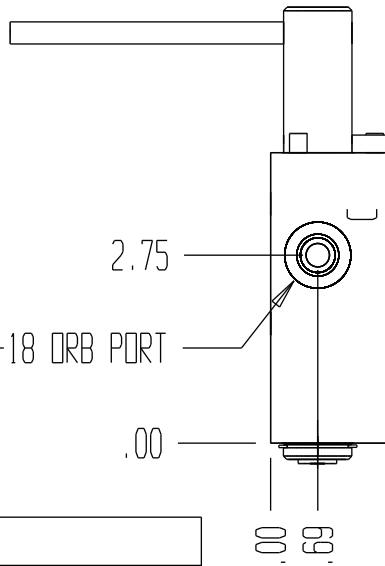


8005



3 X SAE # 06, 9/16-18 ORB PORT



GENERAL SPECIFICATIONS	
PRESSURE	5,000 PSI WORKING
FLOW RATE	20 GPM
MEDIA	PETROLEUM MINERAL BASE SAE 20. OTHER BASES MAY REQUIRE SEAL CHANGES.
SEAL KIT	1184
LEAKAGE MAX.	INTERNAL- 5 CUBIC INCHES/MIN., EXTERNAL- NONE.

HYDRAULIC LOCK VALVE

THIS VALVE IS APPLIED WHERE PARALLEL DEVICES MUST BE HYDRAULICALLY LOCKED IN POSITION SUCH AS THE DOOR ON A FORAGE BALER.