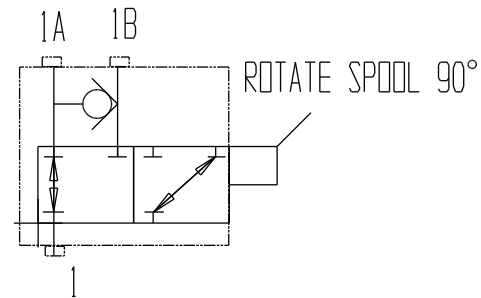
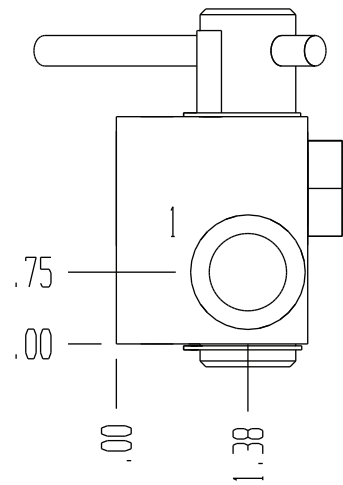
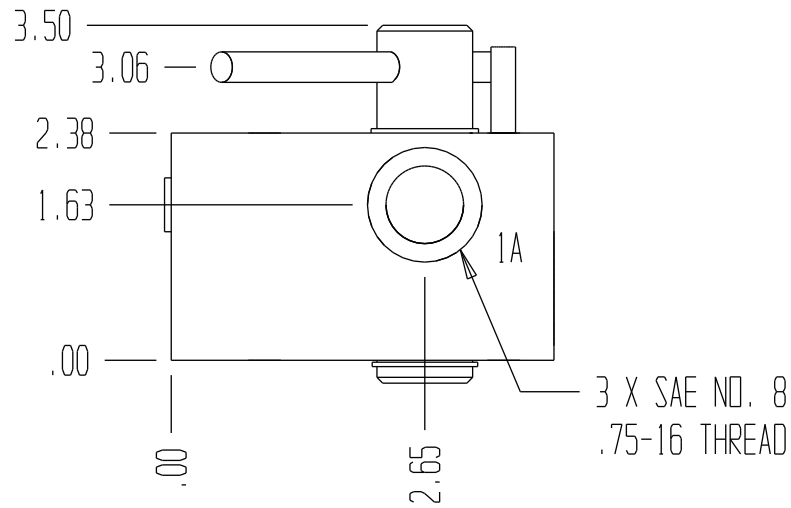
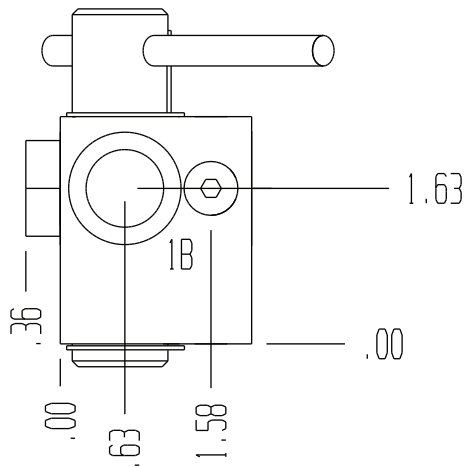
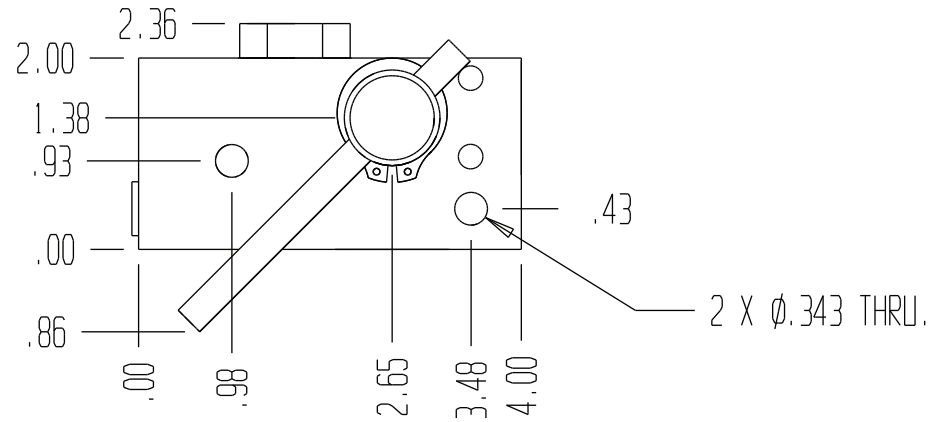


8032



FUNCTIONAL SYMBOL

2 POSITION ROTARY SELECTOR VALVE.  
FLOW FROM 1A TO 1B IS CHECKED.

GENERAL SPECIFICATIONS	
PRESSURE	5,000 PSI WORKING
FLOW RATE	20 GPM
MEDIA	PETROLEUM MINERAL BASE SAE 20. OTHER BASES MAY REQUIRE SEAL CHANGES.
SEAL KIT	1184
LEAKAGE MAX.	INTERNAL- 5 CUBIC INCHES/MIN., EXTERNAL- NONE.