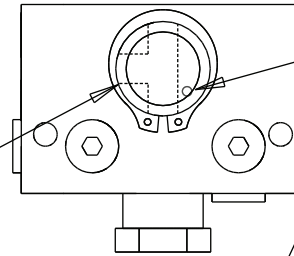


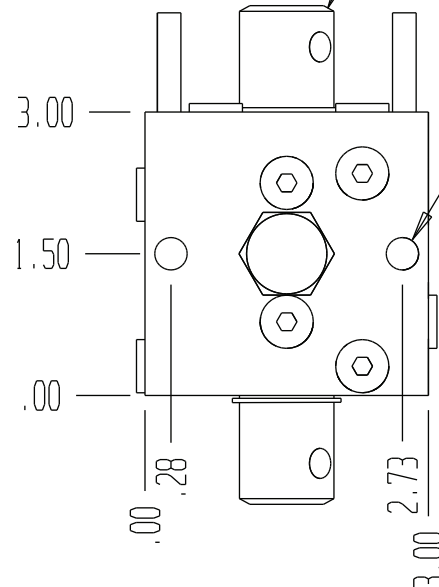
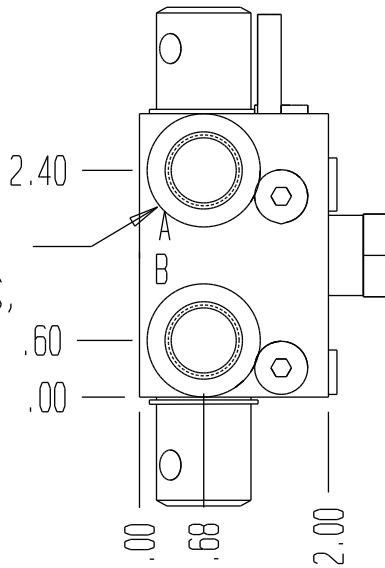
8038

NOTE RELATIONSHIP OF DRILL PATTERN TO EXTENSION OF HANDLE

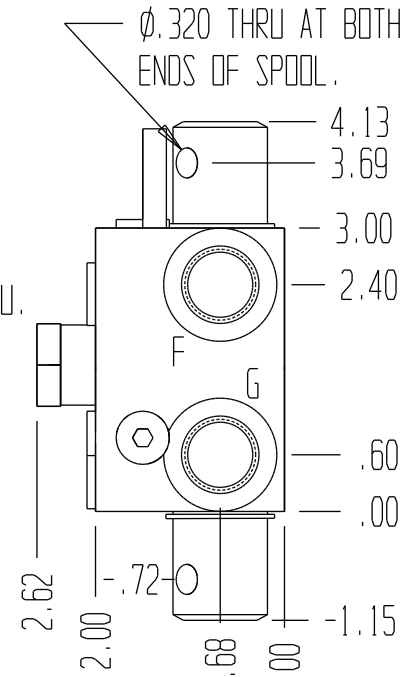


A DIMPLE IS LOCATED ONLY AT THIS END OF THE SPOOL AND AT THIS LOCATION, THE HANDLE OR COUPLING PIN MUST EXTEND FROM THIS SIDE FOR PROPER ORIENTATION WITH STOP PINS.

PORTS A, B, F & G ARE:  
SAE NO. 08 O-RING BOSS,  
( $\phi$ .75-16)

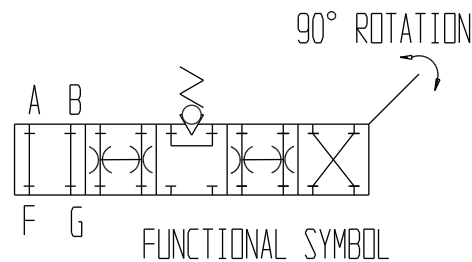


2 X  $\phi$ .34 X THRU.



$\phi$ .320 THRU AT BOTH ENDS OF SPOOL.

GENERAL SPECIFICATIONS	
PRESSURE	5,000 PSI WORKING
FLOW RATE	20 GPM
MEDIA	PETROLEUM MINERAL BASE SAE 20. OTHER BASES MAY REQUIRE SEAL CHANGES.
SEAL KIT	5265
LEAKAGE MAX.	INTERNAL- 5 CUBIC INCHES/MIN., EXTERNAL- NONE.



90° ROTATION 4-WAY VALVE WITH A-B OPEN AND F-G CLOSED IN CENTER POSITION. THE SPOOL IS HELD IN THE CENTER POSITION WITH A DETENT.