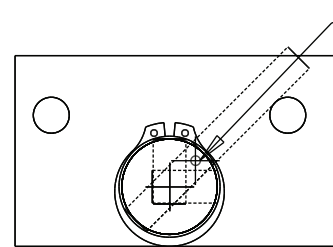
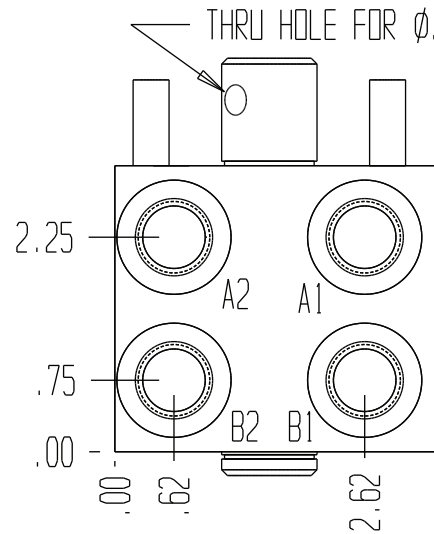
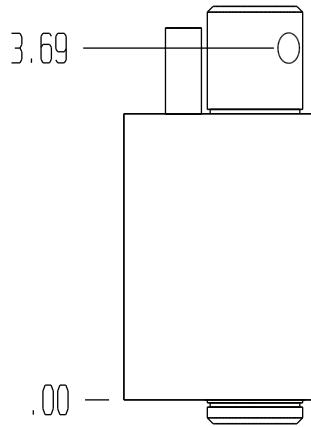
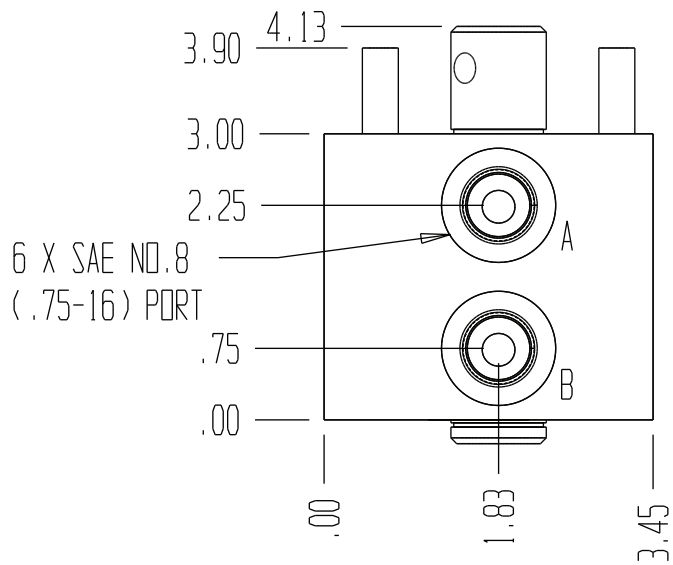
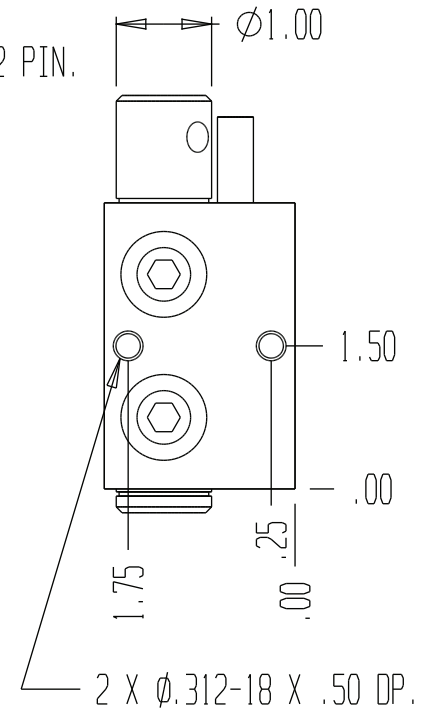


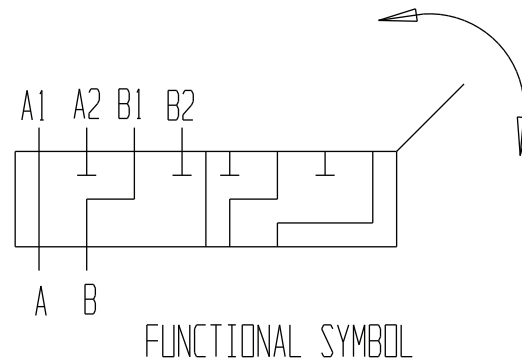
8048



DRILL DIMPLE INDICATES SIDE OF SPOOL FOR STOP PIN EXTENSION.



GENERAL SPECIFICATIONS	
PRESSURE	5,000 PSI WORKING
FLOW RATE	20 GPM
MEDIA	PETROLEUM MINERAL BASE SAE 20. OTHER BASES MAY REQUIRE SEAL CHANGES.
SEAL KIT	1184
LEAKAGE MAX.	INTERNAL- 5 CUBIC INCHES/MIN., EXTERNAL- NONE.



90° ROTARY, 2 CIRCUIT, SELECTOR VALVE WITHOUT LEVER.