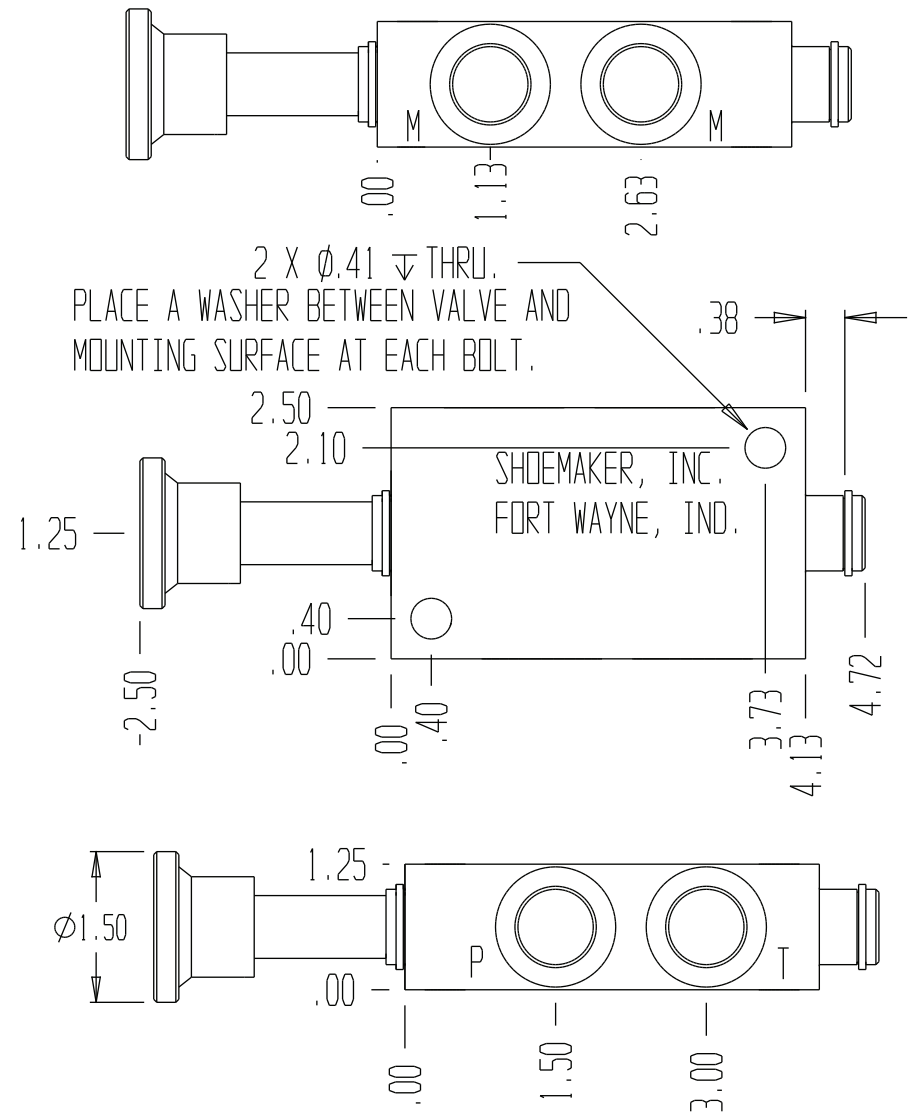
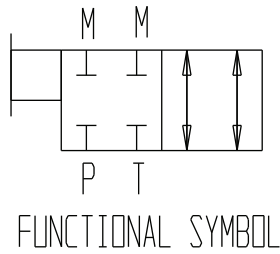


8079



GENERAL SPECIFICATIONS	
PRESSURE	3,500 PSI WORKING
FLOW RATE	15 GPM AT 100 PSI DIFFERENTIAL.
MEDIA	PETROLEUM MINERAL BASE SAE 20. OTHER BASES MAY REQUIRE SEAL CHANGES.
SEAL KIT	5317
LEAKAGE MAX.	INTERNAL-10 CUBIC INCHES/MIN., EXTERNAL- NONE.

MANUAL PUSH-PULL, OPEN-CLOSED, TANDEM CIRCUIT VALVE.