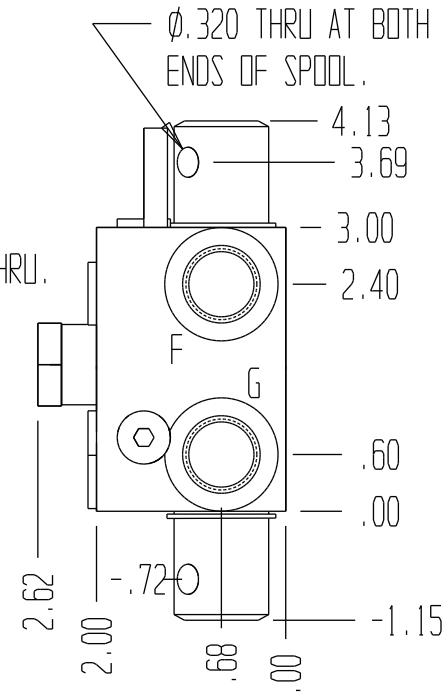
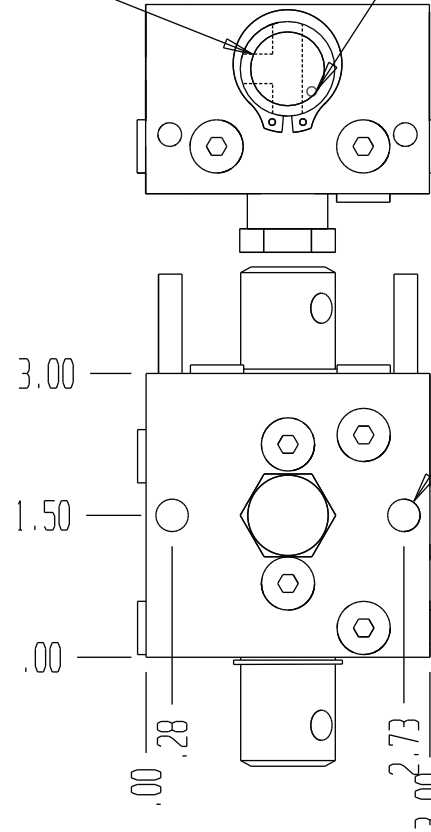
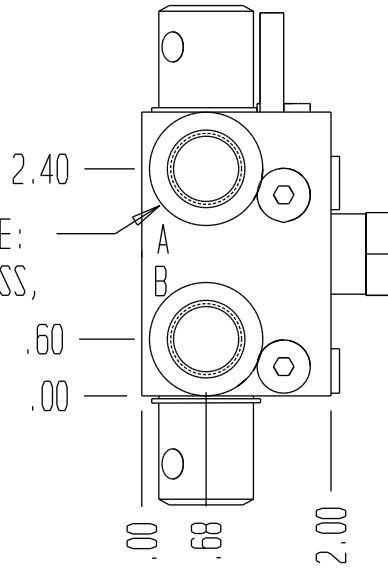


8096

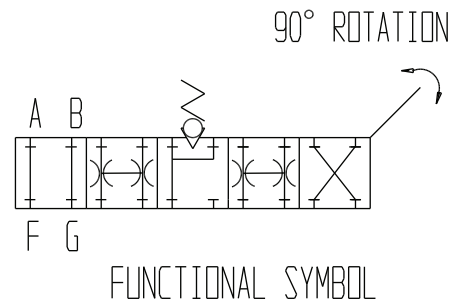
NOTE RELATIONSHIP OF DRILL PATTERN TO EXTENSION OF HANDLE

A DIMPLE IS LOCATED ONLY AT THIS END OF THE SPOOL AND AT THIS LOCATION, THE HANDLE OR COUPLING PIN MUST EXTEND FROM THIS SIDE FOR PROPER ORIENTATION WITH STOP PINS.

PORTS A, B, F & G ARE:
SAE NO. 08 O-RING BOSS,
(ϕ .75-16)



GENERAL SPECIFICATIONS	
PRESSURE	5,000 PSI WORKING
FLOW RATE	20 GPM
MEDIA	PETROLEUM MINERAL BASE SAE 20. OTHER BASES MAY REQUIRE SEAL CHANGES.
SEAL KIT	5265
LEAKAGE MAX.	INTERNAL- 10 CUBIC INCHES/MIN., EXTERNAL- NONE.



90° ROTATION, 4-WAY DIRECTIONAL VALVE WITH CENTER DETENTED POSITION. IN CENTER THE PORTS A-B-F ARE COMMON AND G IS CLOSED.