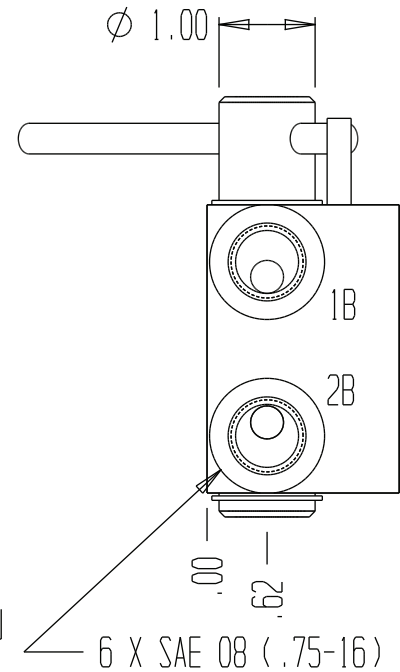
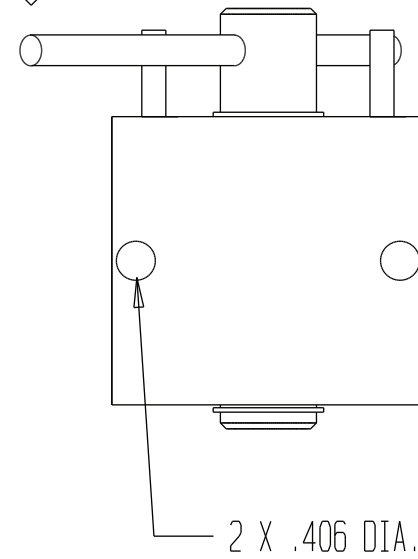
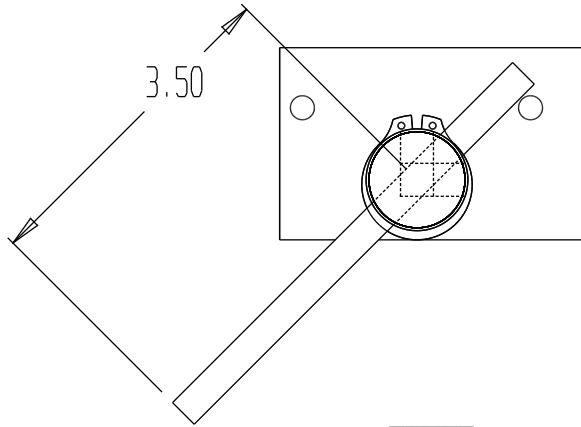
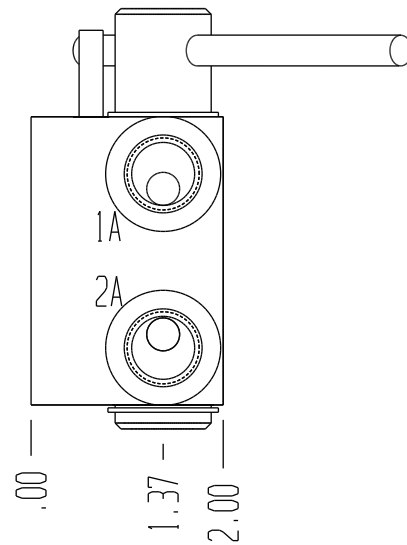
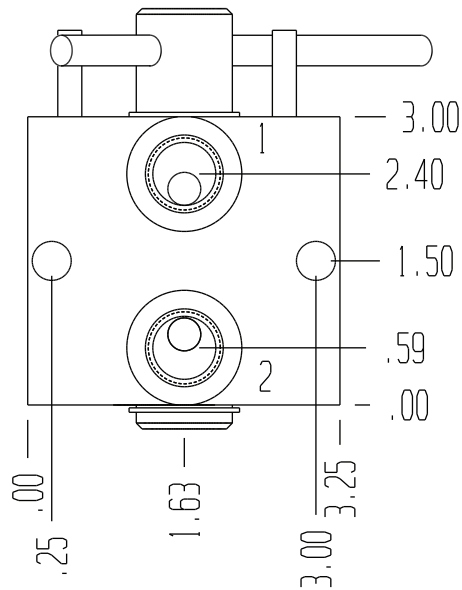
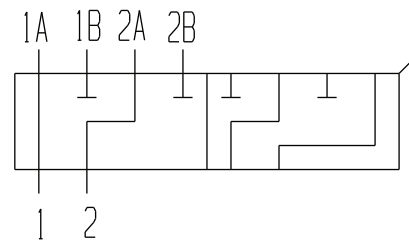


8100



GENERAL SPECIFICATIONS	
PRESSURE	5,000 PSI WORKING
FLOW RATE	20 GPM
MEDIA	PETROLEUM MINERAL BASE SAE 20. OTHER BASES MAY REQUIRE SEAL CHANGES.
SEAL KIT	1184
LEAKAGE MAX.	INTERNAL- CUBIC INCHES/MIN., EXTERNAL- NONE.



FUNCTIONAL SYMBOL

90° ROTARY, 2 CIRCUIT, SELECTOR VALVE WITH LEVER.