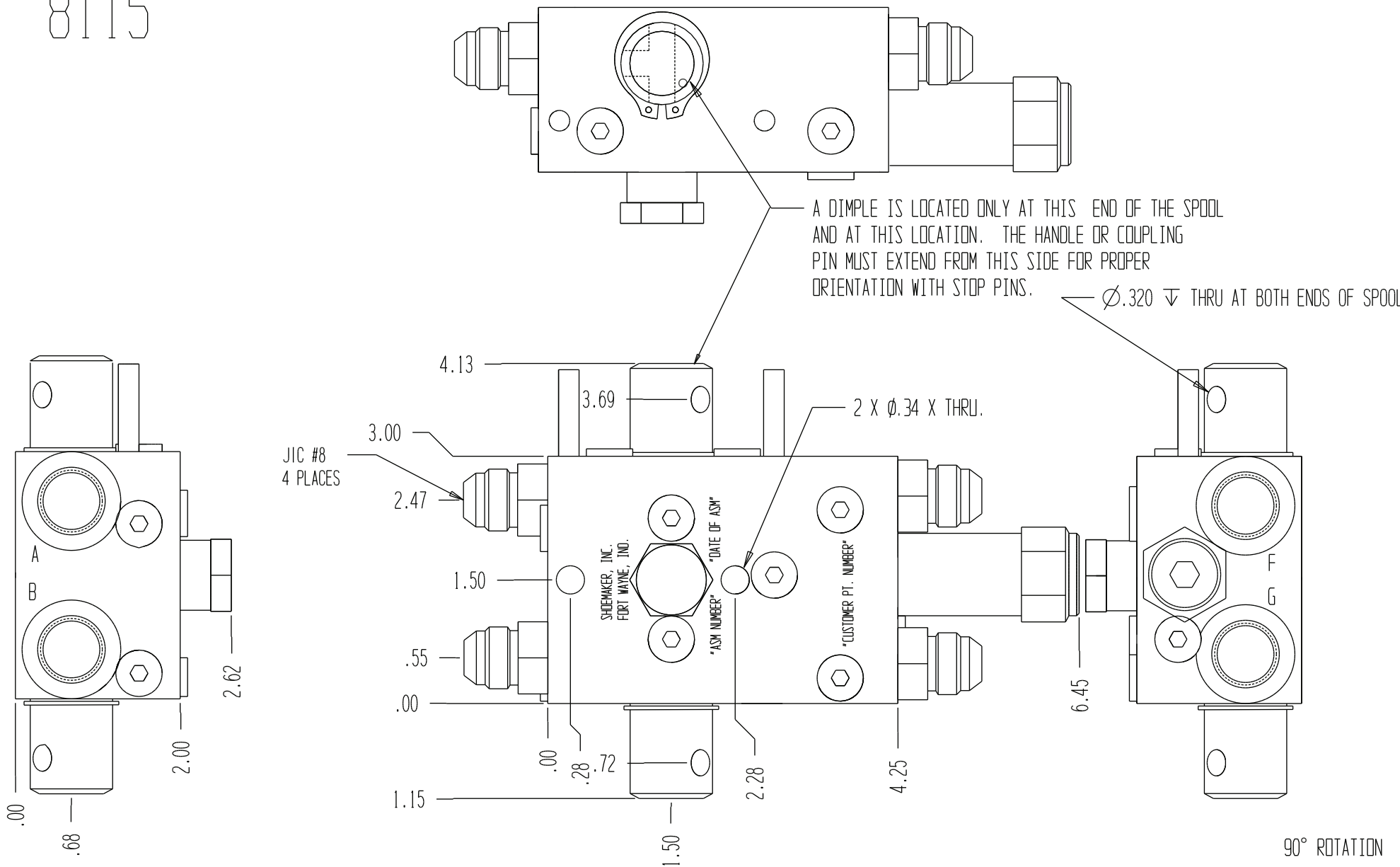
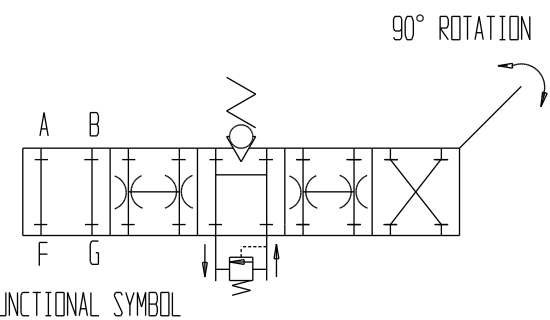


8115



NOTES: 1. BODY, SPOOL, HANDLE & RETAINING RINGS ARE STEEL, PLATED WITH ZINC-DICHROMATE.  
 2. MAXIMUM FLOW IS LIMITED ONLY BY THE DIFFERENTIAL LOSSES. WITH SPOOL IN OPEN CENTER POSITION THE PRESSURE DIFFERENTIAL FROM 'G' TO 'F' IS 200 PSI AT 21 GPM.



	GENERAL SPECIFICATIONS
PRESSURE	5,000 PSI WORKING
FLOW RATE	20 GPM
MEDIA	PETROLEUM MINERAL BASE SAE 20. OTHER BASES MAY REQUIRE SEAL CHANGES.
SEAL KIT	5265
LEAKAGE	INTERNAL- 5 CUBIC INCHES/MIN., EXTERNAL-NONE.

THIS IS A 4-WAY DIR./MOTOR SPOOL/CENTER SUMP RETURN & INLET RELIEF @2000 PSI