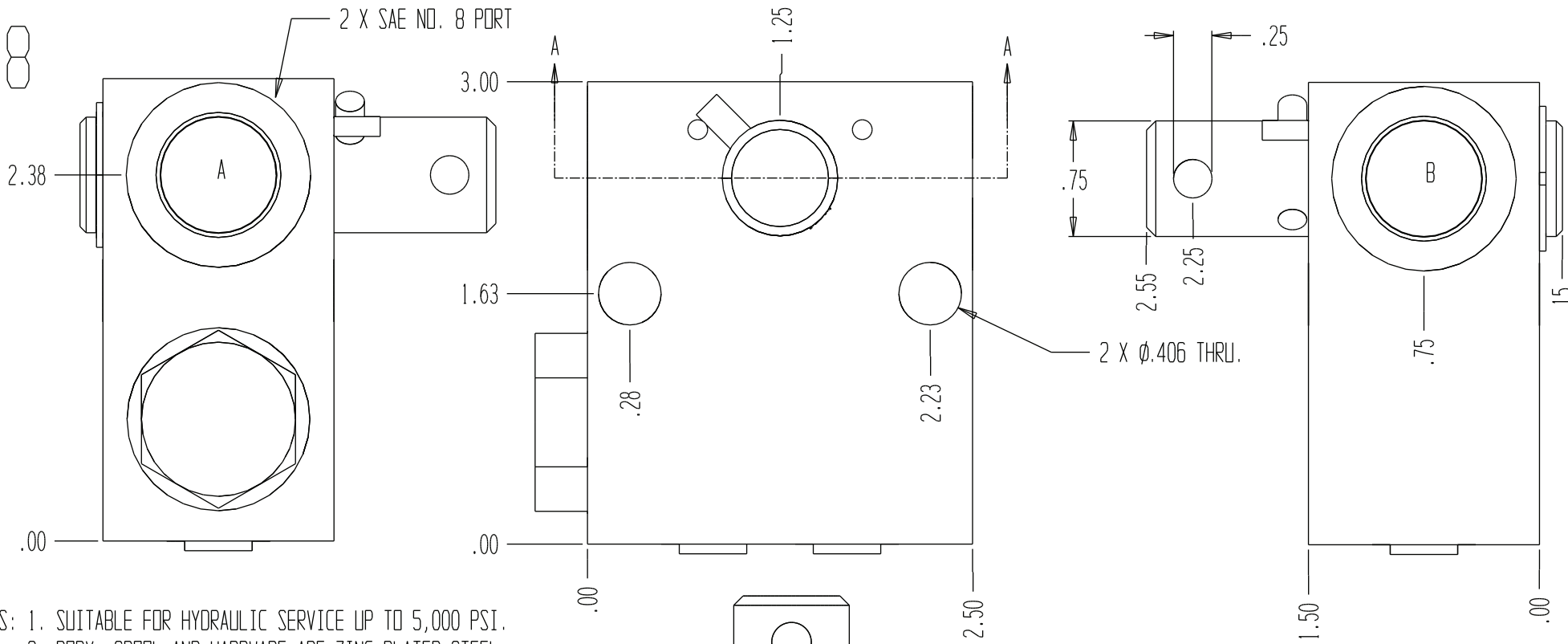
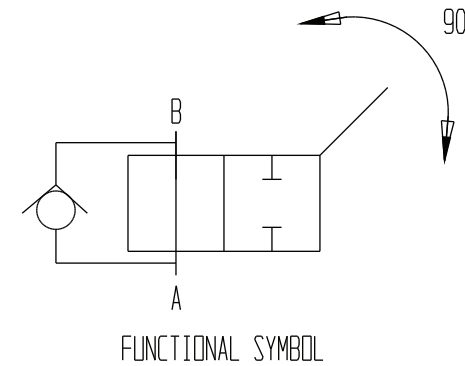
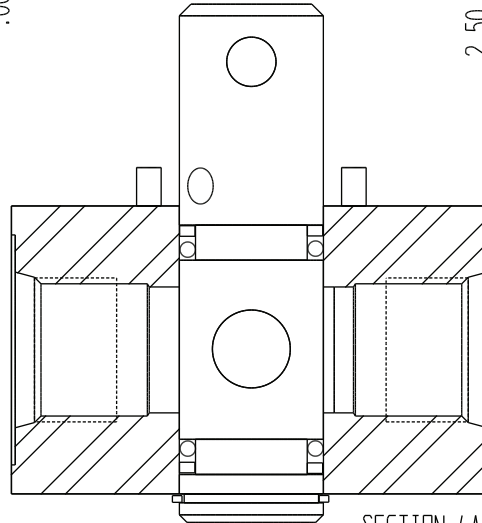


8128



- NOTES: 1. SUITABLE FOR HYDRAULIC SERVICE UP TO 5,000 PSI.
 2. BODY, SPOOL AND HARDWARE ARE ZINC PLATED STEEL.
 3. MAXIMUM LEAKAGE: 1 IN³/MIN. AT 1500 PSI



GENERAL SPECIFICATIONS	
PRESSURE	5,000 PSI WORKING
FLOW RATE	20 GPM
MEDIA	PETROLEUM MINERAL BASE SAE 20. OTHER BASES MAY REQUIRE SEAL CHANGES.
SEAL KIT	5481
LEAKAGE	INTERNAL - 5 CUBIC INCHES/MIN., EXTERNAL - NONE.