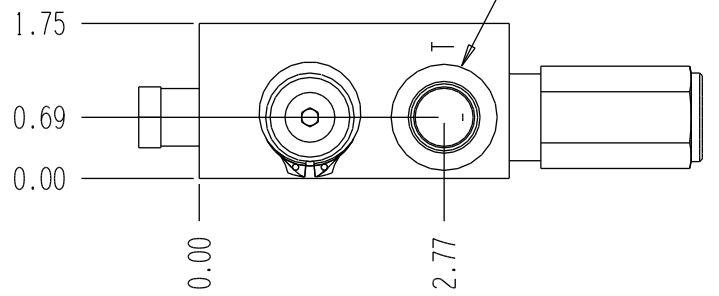
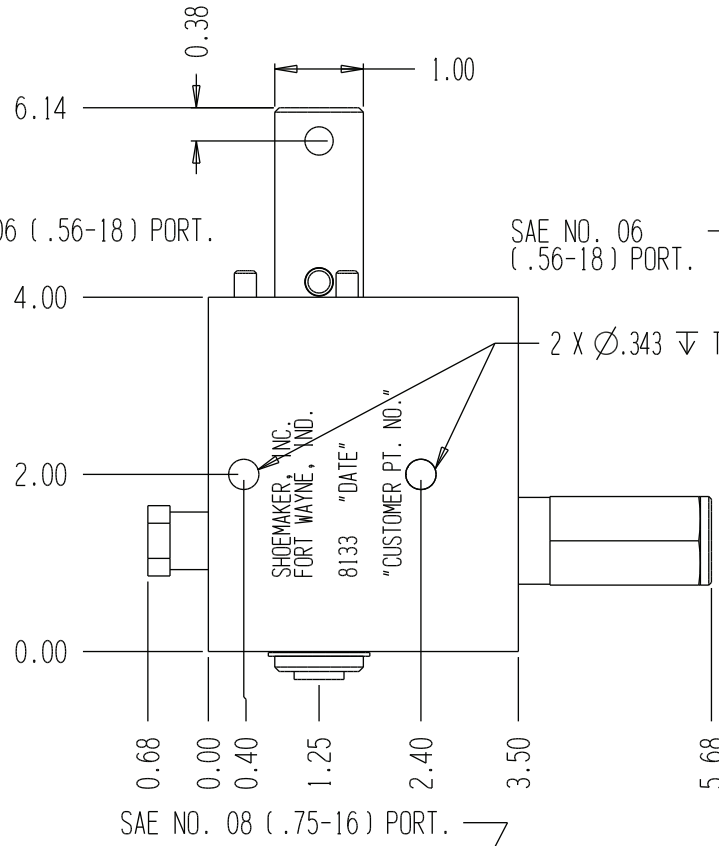
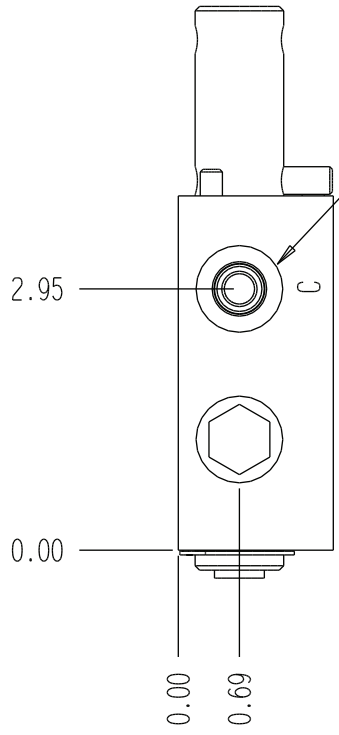
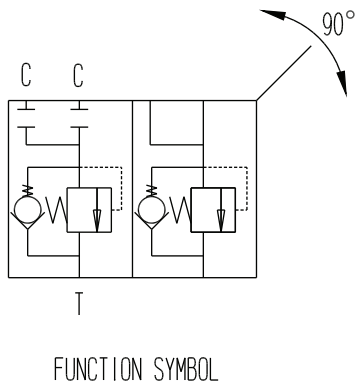


8133



GENERAL SPECIFICATIONS	
PRESSURE	5,000 PSI WORKING
FLOW RATE	20 GPM
MEDIA	PETROLEUM MINERAL BASE SAE 20. OTHER BASES MAY REQUIRE SEAL CHANGES.
SEAL KIT	5497(SPOOL) 5548(DETENT)
LEAKAGE	INTERNAL- 5 CUBIC INCHES/MIN., EXTERNAL-NONE.