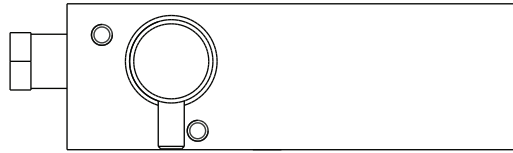
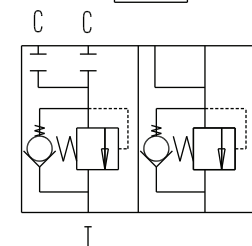
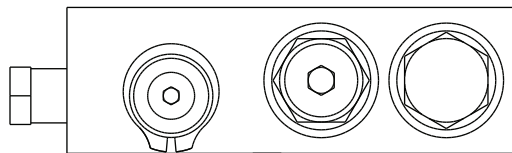
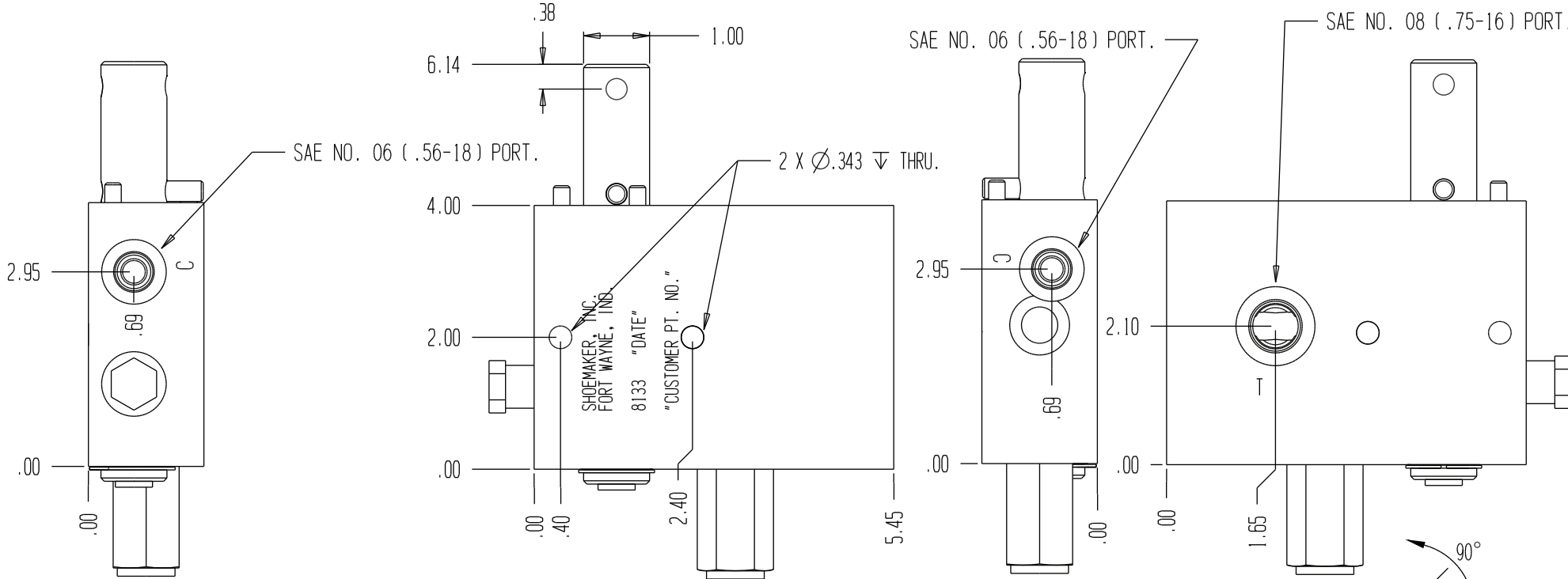


8150



THIS STOP PIN EXTENDS FROM THE SPOOL ON THE SAME SIDE AS THE DETENT DIMPLE. THE SPOOL ROTATION IS SHOWN IN THE CLOSED POSITION.



| GENERAL SPECIFICATIONS | |
|------------------------|---|
| PRESSURE | 5,000 PSI WORKING |
| FLOW RATE | 20 GPM |
| MEDIA | PETROLEUM MINERAL BASE SAE 20. OTHER BASES MAY REQUIRE SEAL CHANGES. |
| SEAL KIT | |
| LEAKAGE | INTERNAL- 5 CUBIC INCHES/MIN., EXTERNAL-NONE. |