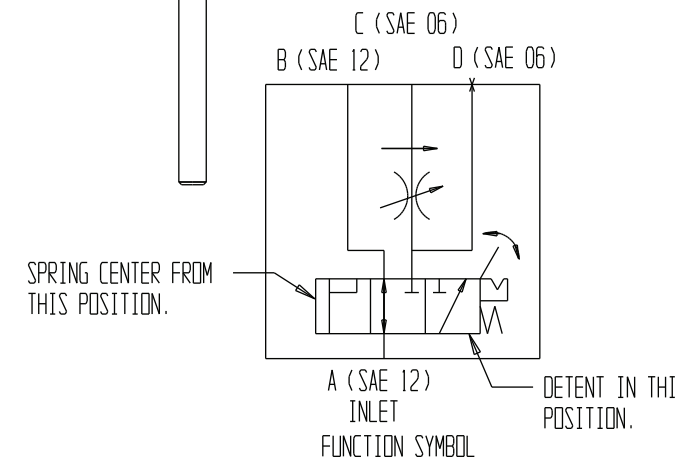
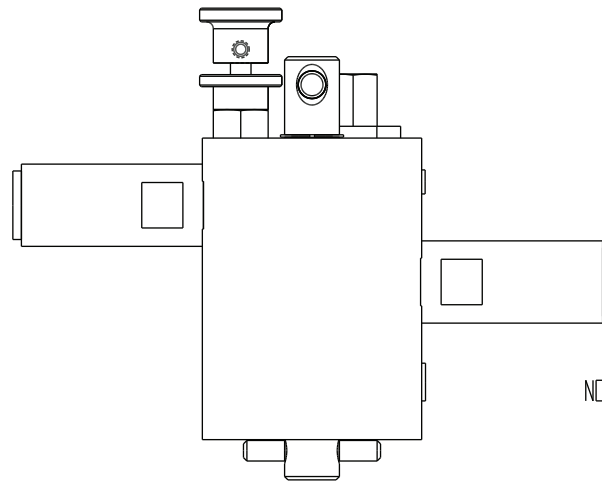
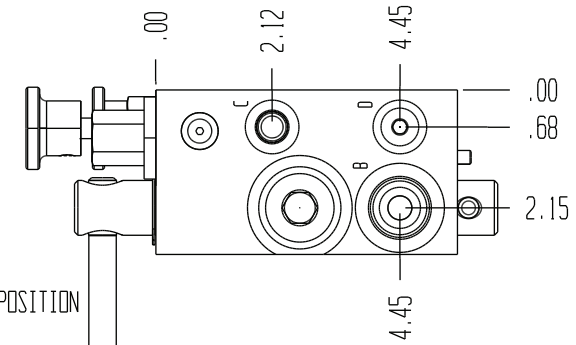
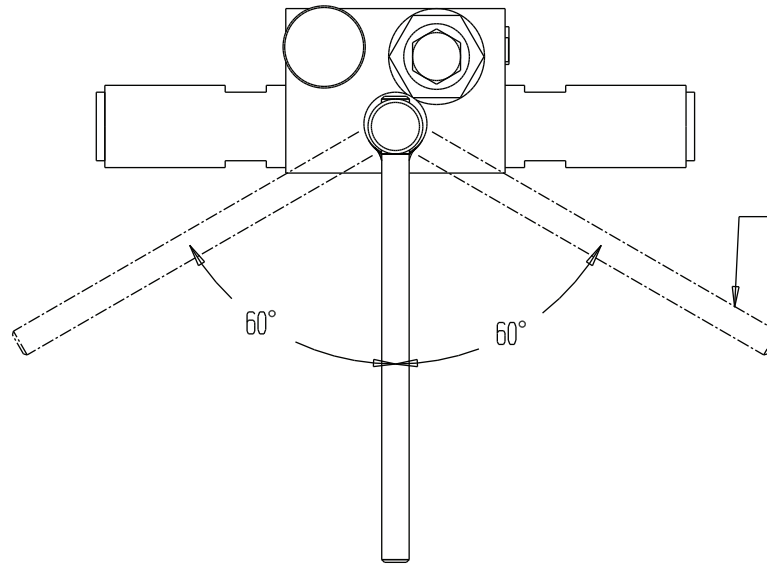
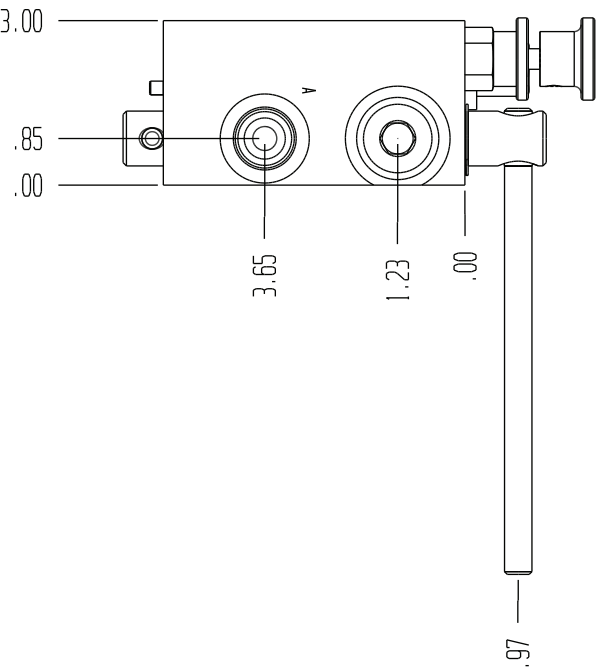
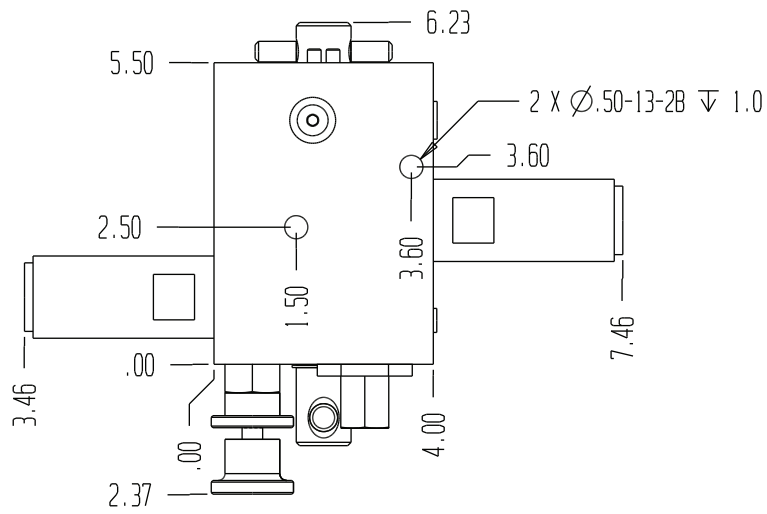


8159



NOTE: 1. THE BODY AND KNOBS ARE ALUMINUM. OTHER PARTS ARE STEEL.

GENERAL SPECIFICATIONS	
PRESSURE	5,000 PSI WORKING
FLOW RATE	20 GPM
MEDIA	PETROLEUM MINERAL BASE SAE 20. OTHER BASES MAY REQUIRE SEAL CHANGES.
SEAL KIT	
LEAKAGE	INTERNAL- 5 CUBIC INCHES/MIN., EXTERNAL-NONE.