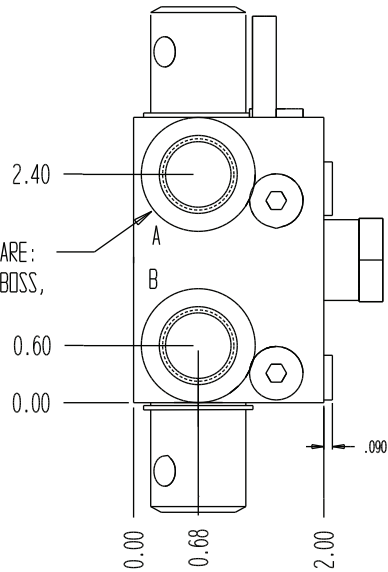
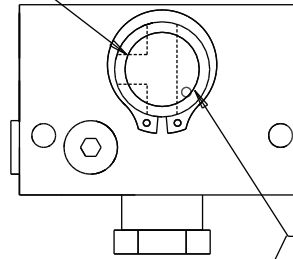


8163

PORTS A, B, F & G ARE:
SAE NO. 08 O-RING BOSS,
(ϕ .75-16)

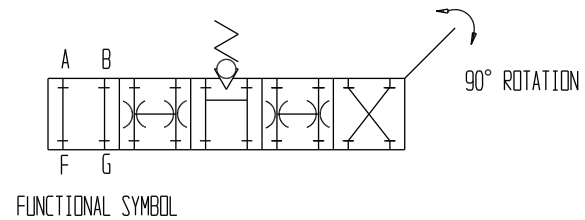
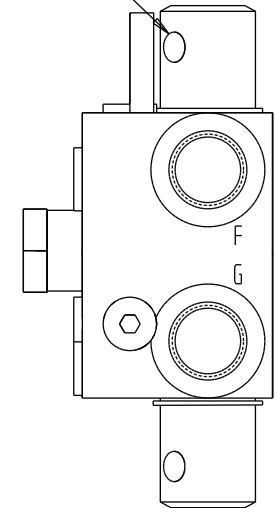
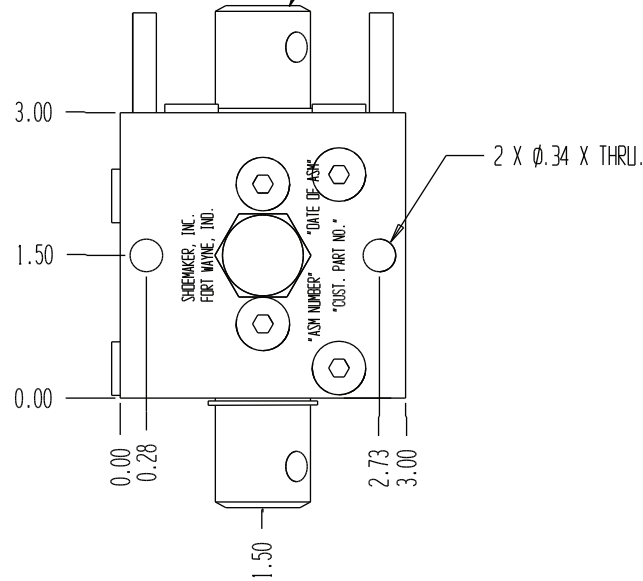


NOTE RELATIONSHIP OF DRILL PATTERN
TO EXTENSION OF HANDLE



A DIMPLE IS LOCATED ONLY AT THIS END OF THE SPOOL
AND AT THIS LOCATION. THE HANDLE OR COUPLING
PIN MUST EXTEND FROM THIS SIDE FOR PROPER
ORIENTATION WITH STOP PINS.

ϕ .320 ∇ THRU AT BOTH ENDS OF SPOOL.



- NOTES: 1. BODY, SPOOL, HANDLE & RETAINING RINGS
ARE STEEL, PLATED WITH ZINC-DICHROMATE.
2. MAXIMUM FLOW IS LIMITED ONLY BY THE DIFFERENTIAL LOSSES.
WITH SPOOL IN OPEN CENTER POSITION THE PRESSURE
DIFFERENTIAL FROM 'G' TO 'F' IS 200 PSI AT 21 GPM.

GENERAL SPECIFICATIONS	
PRESSURE	5,000 PSI WORKING
FLOW RATE	20 GPM
MEDIA	PETROLEUM MINERAL BASE SAE 20. OTHER BASES MAY REQUIRE SEAL CHANGES.
SEAL KIT	5265
LEAKAGE	INTERNAL - 5 CUBIC INCHES/MIN., EXTERNAL - NONE.