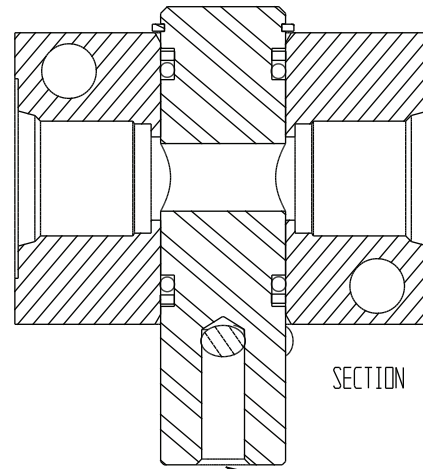
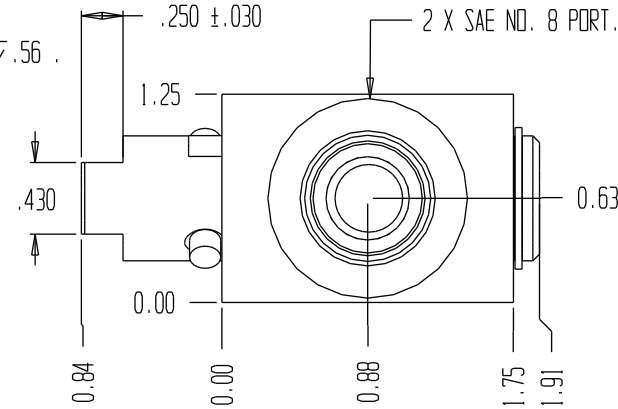
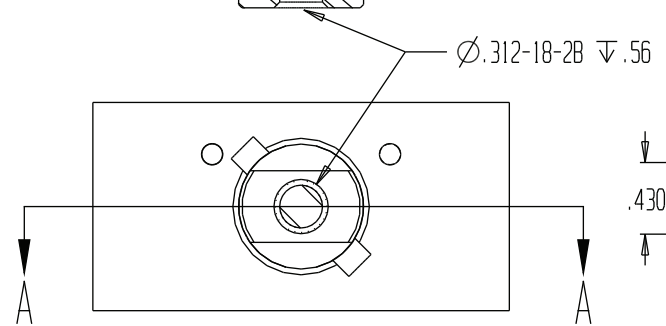


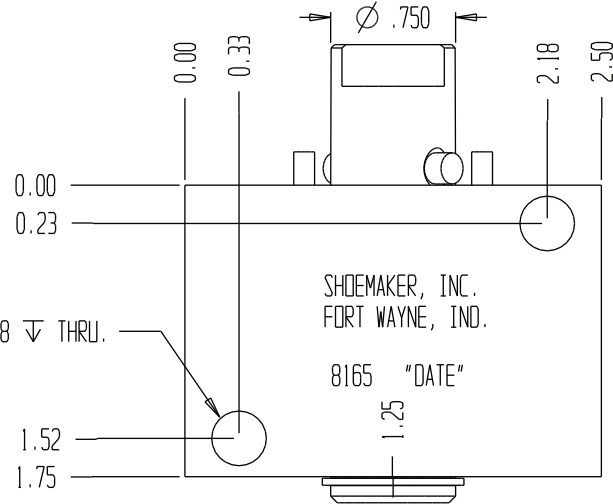
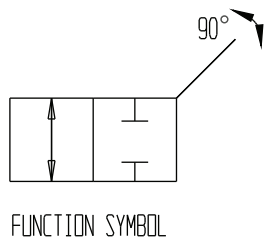
8165



SECTION A-A



NOTES: 1. FOR 5,000 PSI SERVICE.
2. STEEL PARTS ARE ZINC PLATED.



SHOEMAKER, INC.
FORT WAYNE, IND.

8165 "DATE"

GENERAL SPECIFICATIONS	
PRESSURE	5,000 PSI WORKING
FLOW RATE	20 GPM
MEDIA	PETROLEUM MINERAL BASE SAE 20. OTHER BASES MAY REQUIRE SEAL CHANGES.
SEAL KIT	
LEAKAGE	INTERNAL- 5 CUBIC INCHES/MIN., EXTERNAL-NONE.