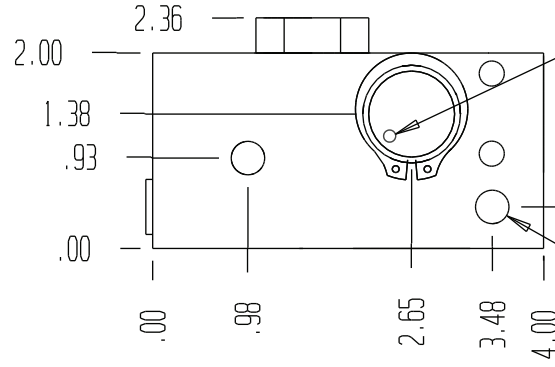
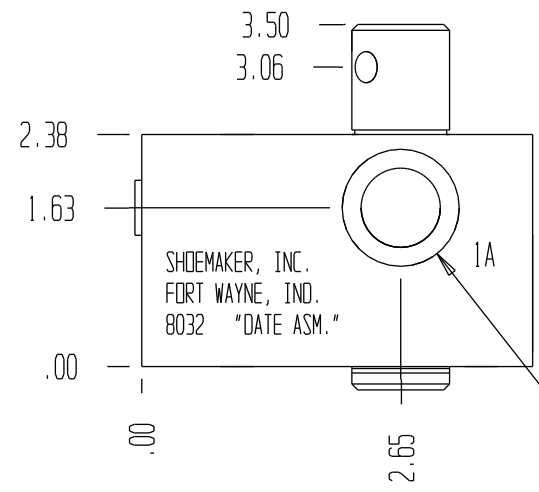
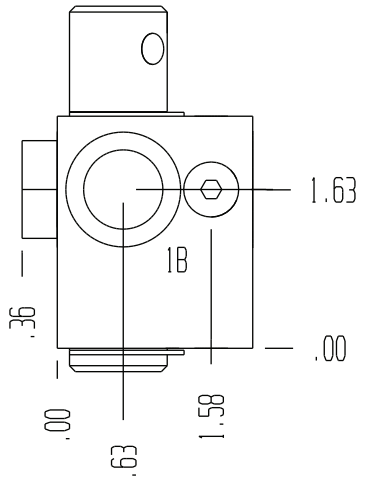


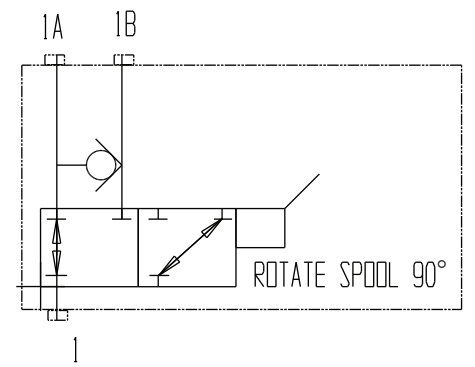
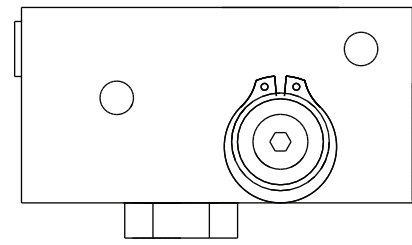
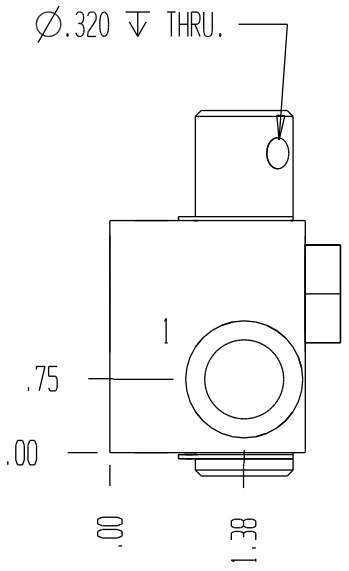
8170



NOTICE DRILL DIMPLE.
 WITH SPOOL IN POSITION SHOWN,
 FLOW IS FROM 1 TO 1A.
 ROTATE SPOOL 90° IN EITHER DIRECTION
 TO HAVE FLOW FROM 1 TO 1B AND 1A.
 .43
 2 X Ø.343 ∇ THRU.



SHOEMAKER, INC.
 FORT WAYNE, IND.
 8032 "DATE ASM."



HYDRAULIC DIAGRAM

GENERAL SPECIFICATIONS	
PRESSURE	5,000 PSI WORKING
FLOW RATE	20 GPM
MEDIA	PETROLEUM MINERAL BASE SAE 20. OTHER BASES MAY REQUIRE SEAL CHANGES.
SEAL KIT	5070(BUNA) 5186(URETHANE)
LEAKAGE	INTERNAL- 5 CUBIC INCHES/MIN., EXTERNAL-NONE.