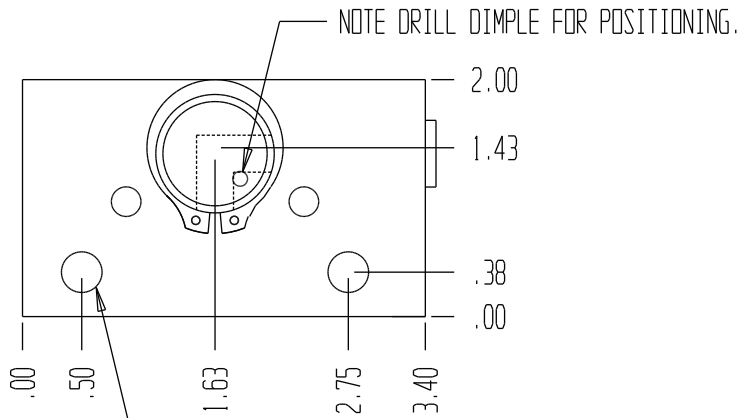
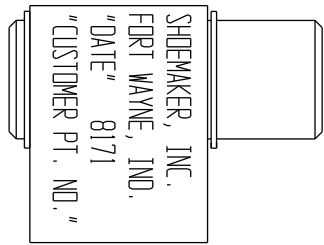
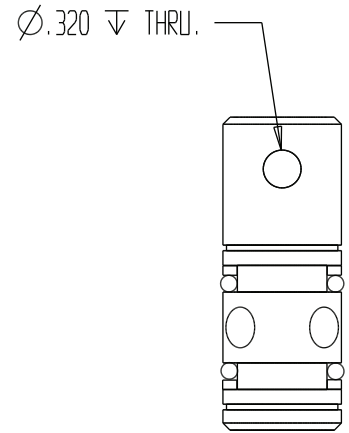
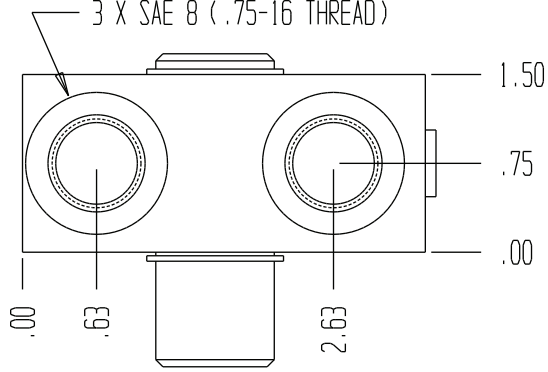
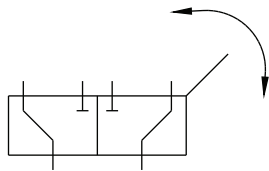


8171

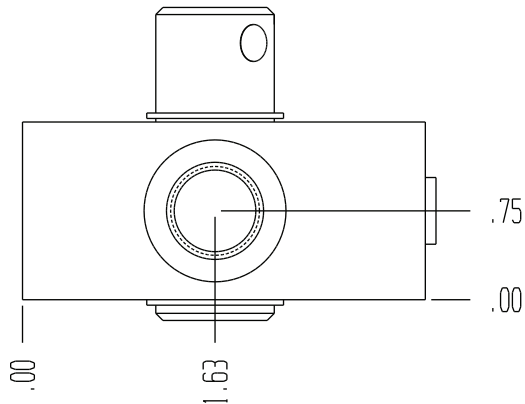


2 X .34 DIA. THRU



FUNCTIONAL SYMBOL

- NOTES: 1. BODY IS ALUMINUM, HARD COAT ANODIZED (GRAY).
2. SPOOL IS HEAT TREATED STEEL ZINC PLATED (YELLOW).
3. NOMENCLATURE IS STAMPED WHERE SHOWN.



GENERAL SPECIFICATIONS	
PRESSURE	3,000 PSI WORKING
FLOW RATE	20 GPM
MEDIA	PETROLEUM MINERAL BASE SAE 20. OTHER BASES MAY REQUIRE SEAL CHANGES.
SEAL KIT	
LEAKAGE	INTERNAL - 5 CUBIC INCHES/MIN., EXTERNAL - NONE.