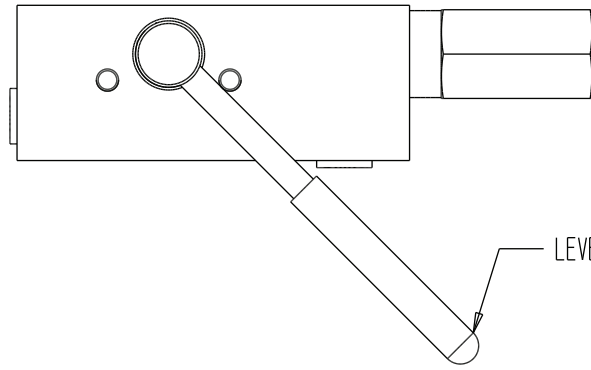
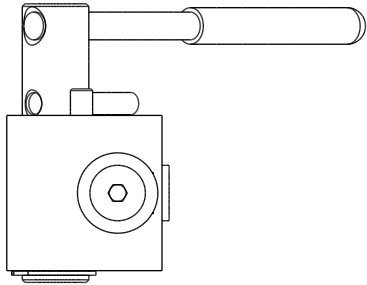
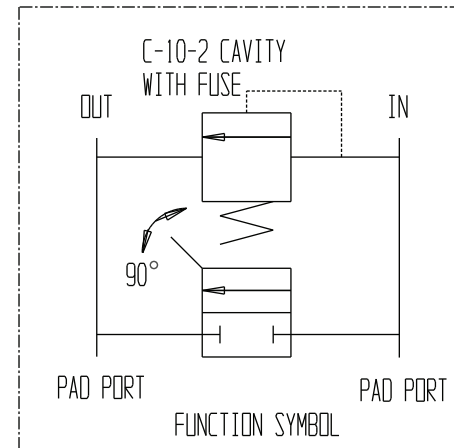
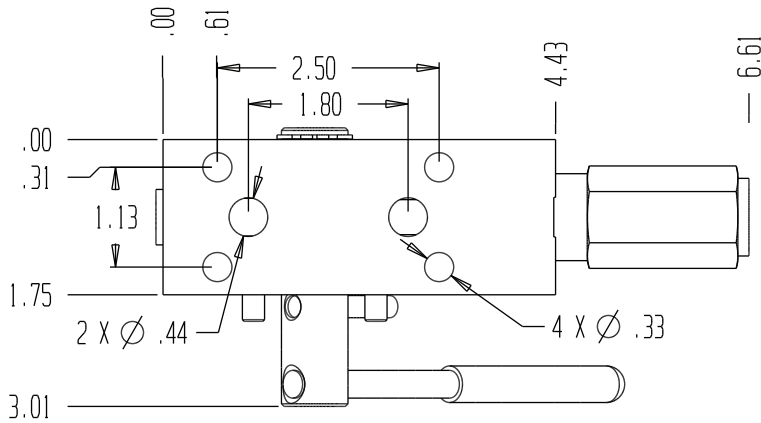
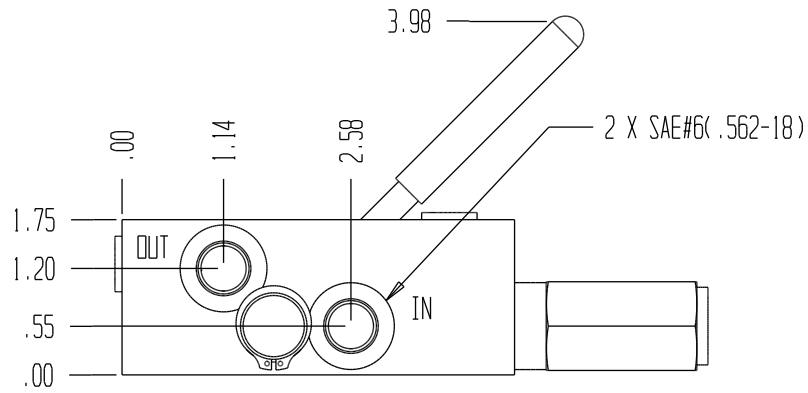
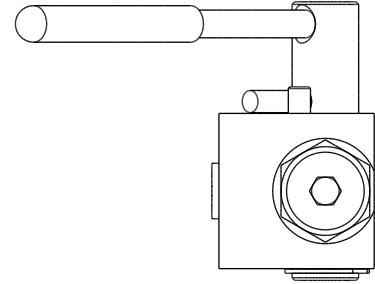
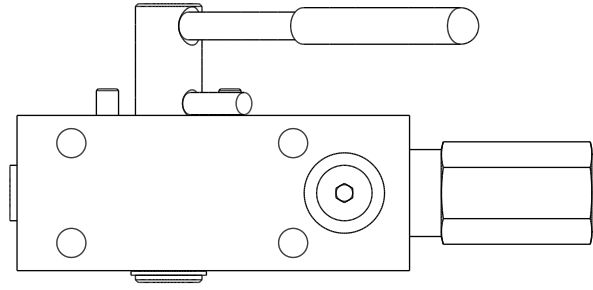


8177

MOTOR MOUNTED 'ON-OFF' WITH FUSE DUMP



LEVER SHOWN IN CLOSED POSITION.



GENERAL SPECIFICATIONS

PRESSURE	5,000 PSI WORKING
FLOW RATE	20 GPM
MEDIA	PETROLEUM MINERAL BASE SAE 20. OTHER BASES MAY REQUIRE SEAL CHANGES.
SEAL KIT	5070 & 5183
LEAKAGE	INTERNAL-5 CUBIC INCHES/MIN., EXTERNAL-NONE.