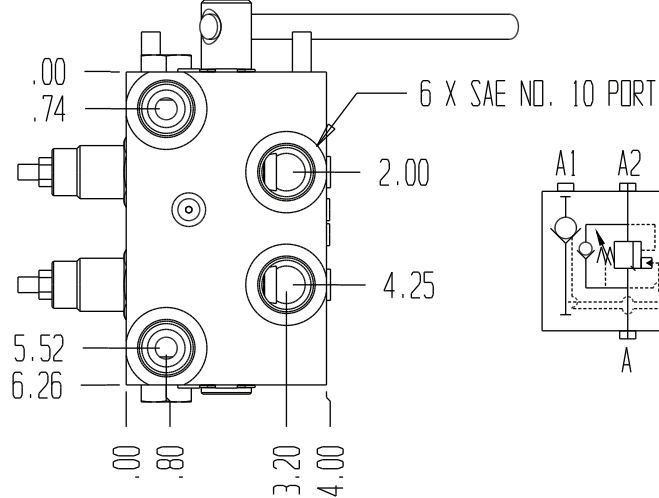
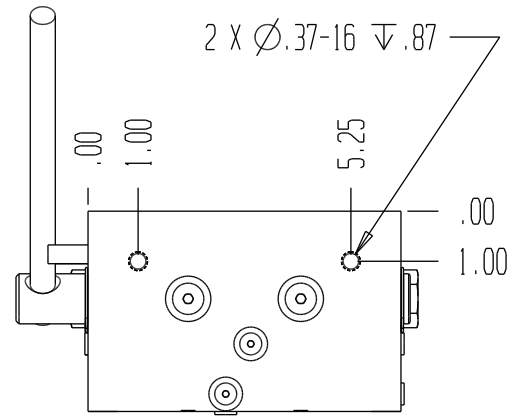
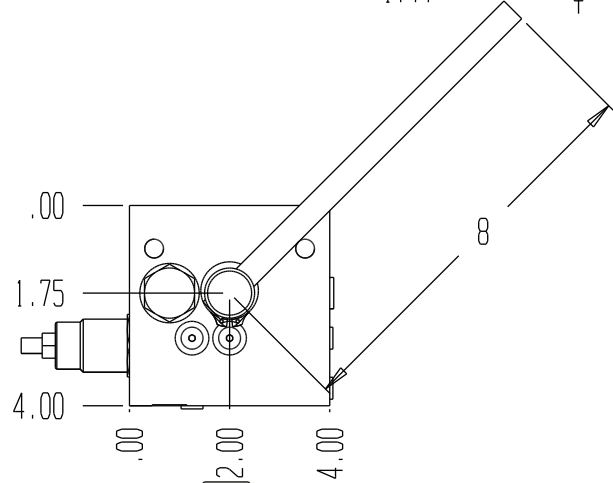
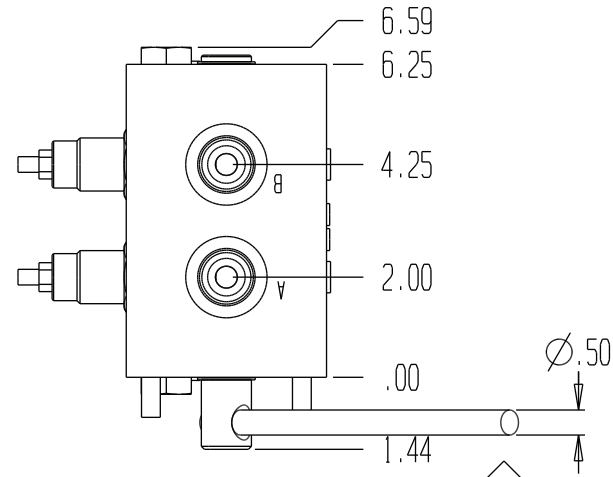
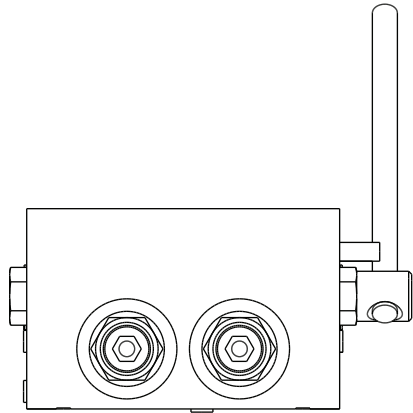
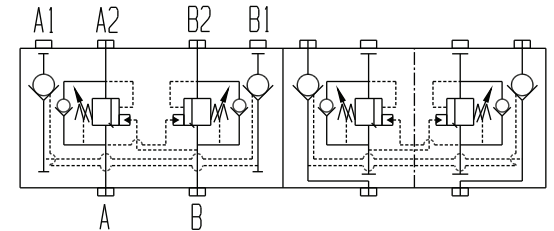


8178



NOTES: 1. THE BODY IS ANODIZED ALUMINUM AND THE SPOOL AND OTHER STEEL PARTS ARE ZINC PLATED.



FUNCTION DIAGRAM
LEVER IS SHOWN IN THIS POSITION.

GENERAL SPECIFICATIONS	
PRESSURE	5,000 PSI WORKING
FLOW RATE	30 GPM
MEDIA	PETROLEUM MINERAL BASE SAE 20. OTHER BASES MAY REQUIRE SEAL CHANGES.
SEAL KIT	
LEAKAGE	INTERNAL- 5 CUBIC INCHES/MIN., EXTERNAL-NONE.