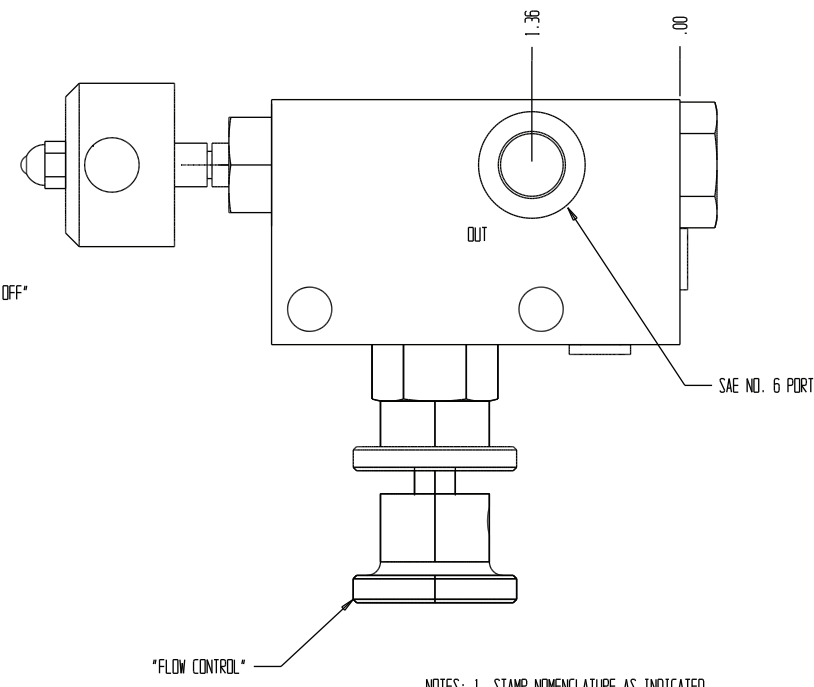
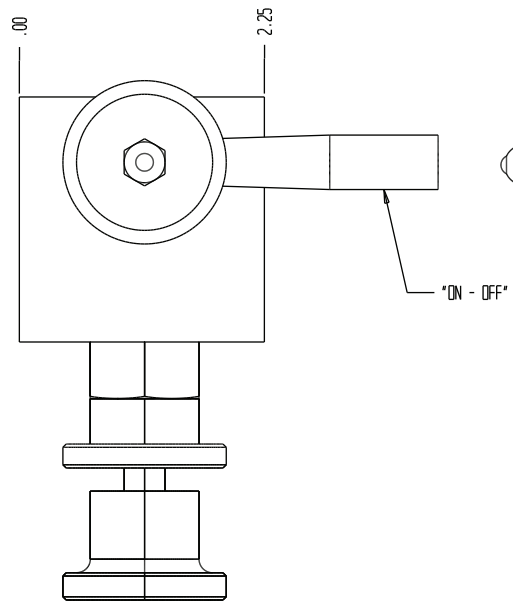
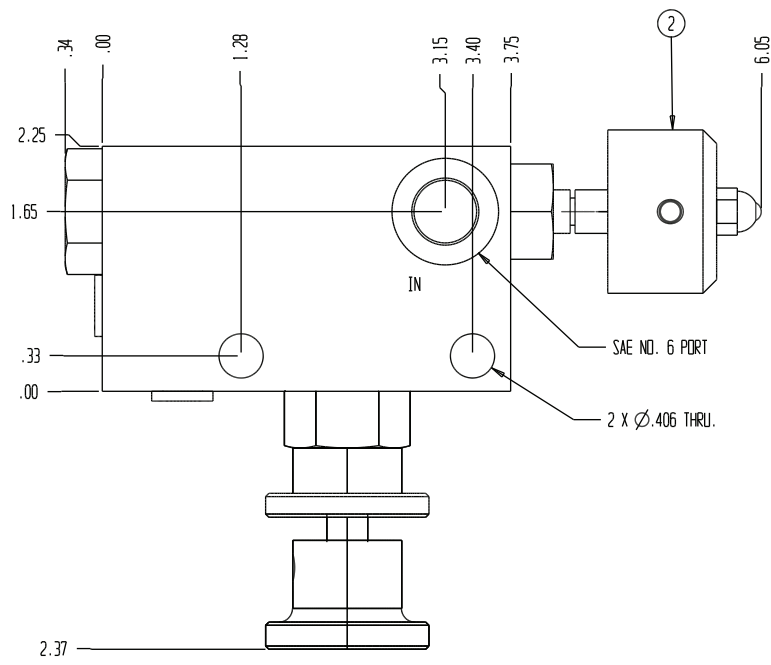
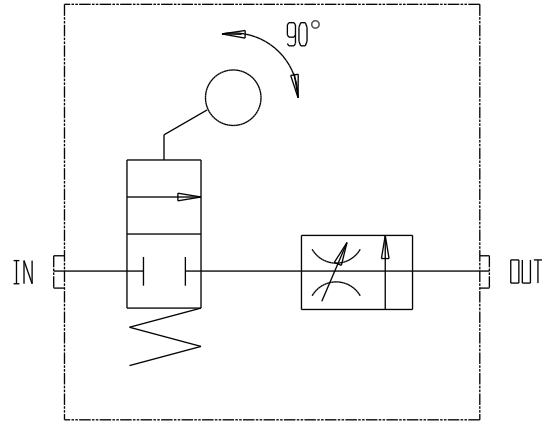
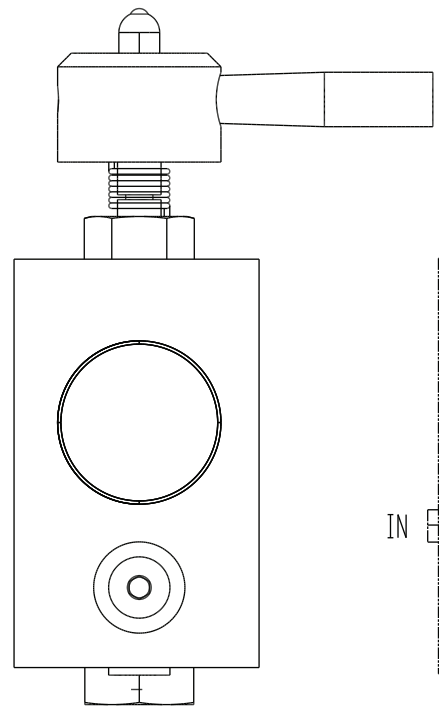


8201



NOTES: 1. STAMP NOMENCLATURE AS INDICATED.
2. INDIVIDUALLY PACKAGE.



FUNCTION DIAGRAM

ROTARY ON-OFF WITH PRESSURE COMPENSATED FLOW CONTROL

GENERAL SPECIFICATIONS	
PRESSURE	3,000 PSI WORKING
FLOW RATE	05 GPM AT 100 PSI DIFFERENTIAL.
MEDIA	PETROLEUM MINERAL BASE SAE 20. OTHER BASES MAY REQUIRE SEAL CHANGES.
PORTS	SAE NO. 6
SEAL KIT	BUNA 90
LEAKAGE	INTERNAL-10 CUBIC INCHES/MIN., EXTERNAL-NONE.