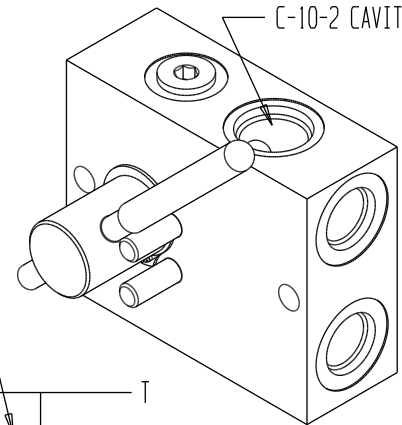
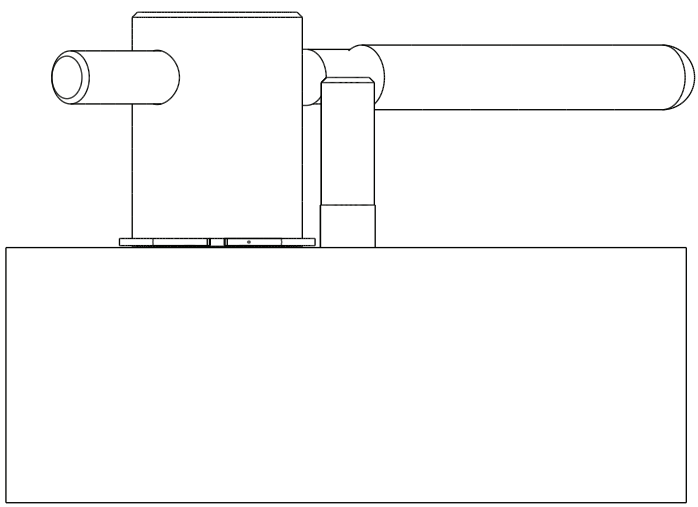
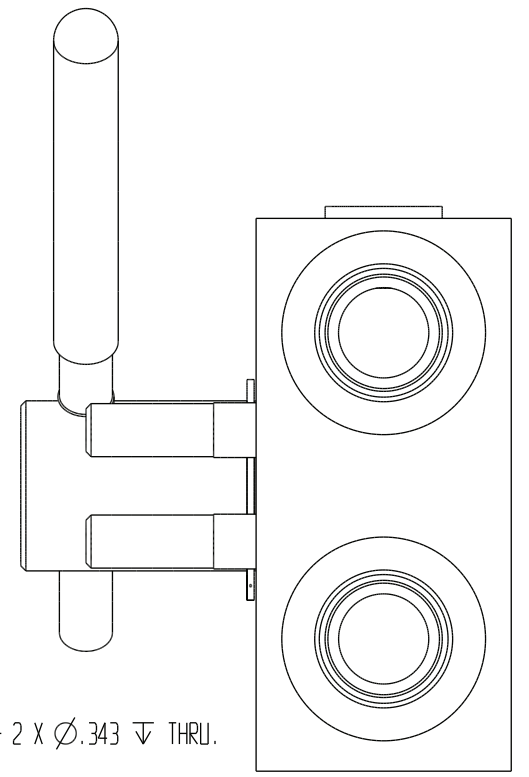
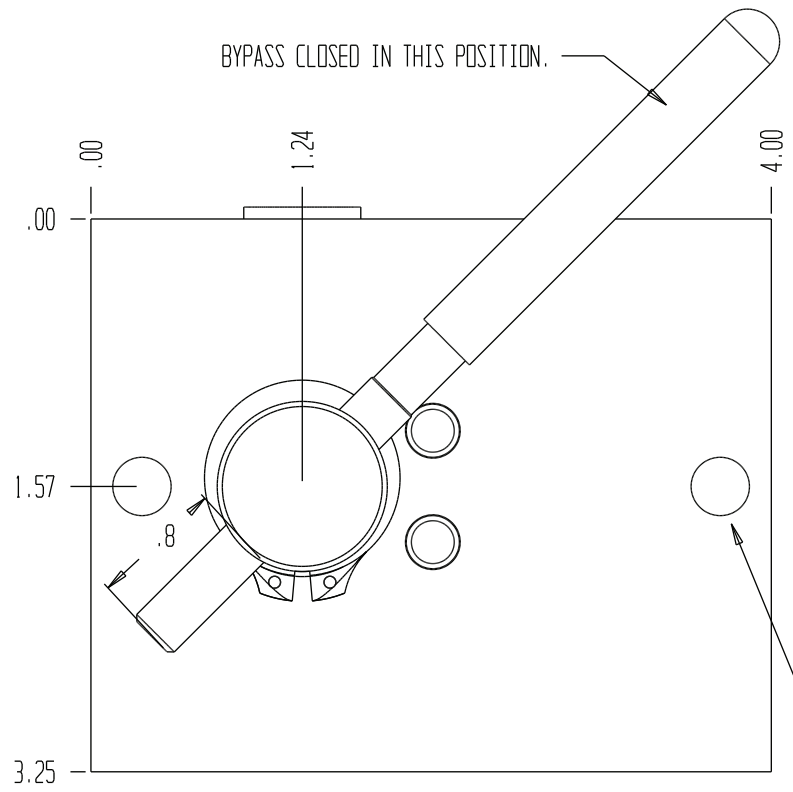
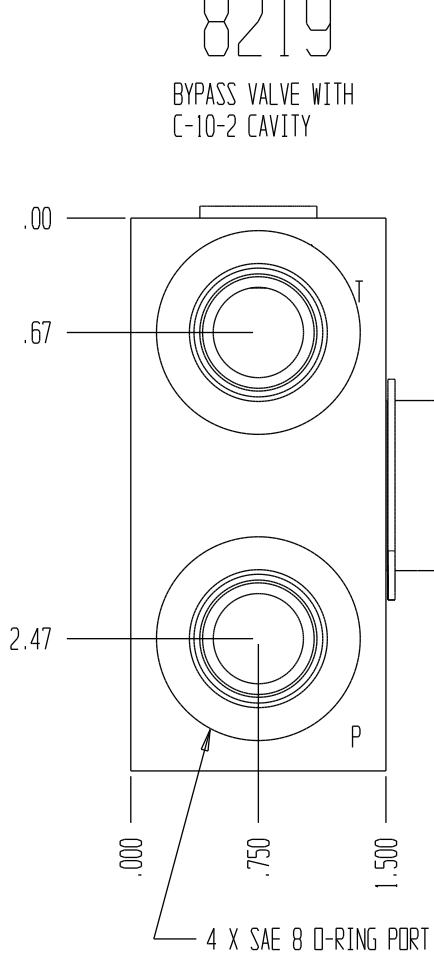
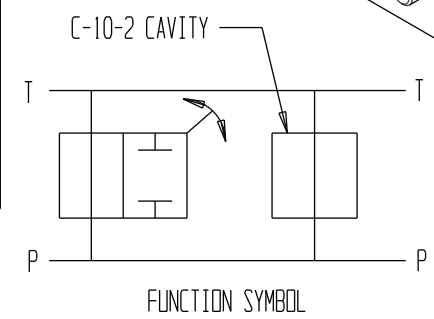


8219

BYPASS VALVE WITH
C-10-2 CAVITY



GENERAL SPECIFICATIONS	
PRESSURE	5,000 PSI WORKING
FLOW RATE	20 GPM
MEDIA	PETROLEUM MINERAL BASE SAE 20. OTHER BASES MAY REQUIRE SEAL CHANGES.
CAVITY	2141-10-2
SEAL KIT	5070 (BUNA), 5072 (VITON)
LEAKAGE	INTERNAL -5 CUBIC INCHES/MIN., EXTERNAL -NONE.



SCALE: 1 : 2