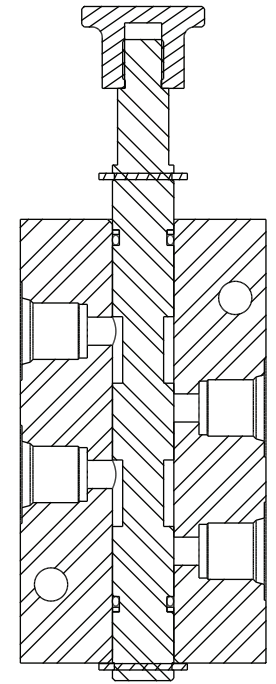
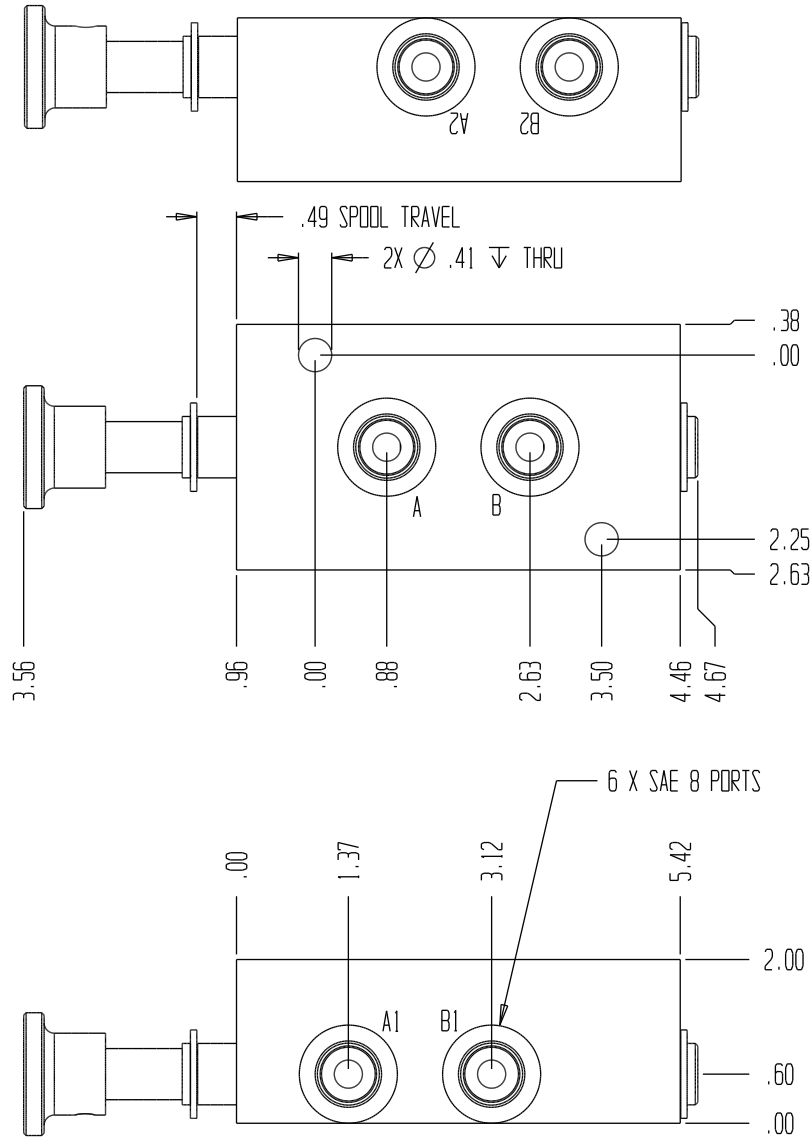
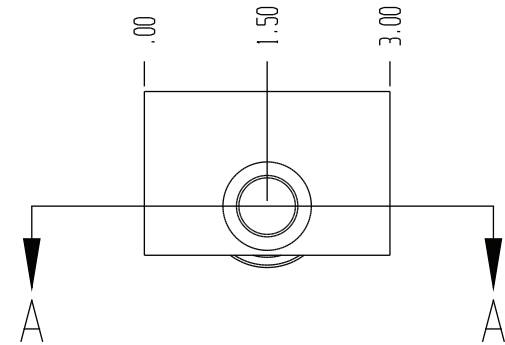


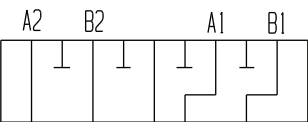
8229



SECTION A-A



NOTE: WITH SPOOL IN POSITION SHOWN THE FLOW PATH IS 'A' TO 'A1' AND 'B' TO 'B1'.



FUNCTION SYMBOL

PUSH-PULL SELECTOR