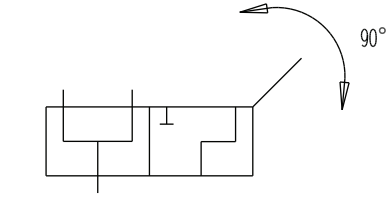
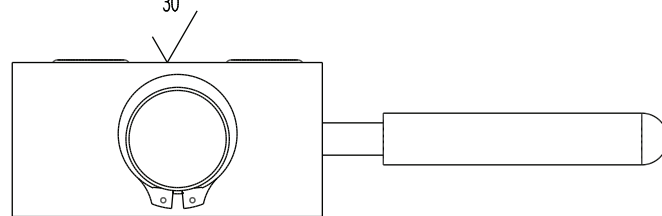
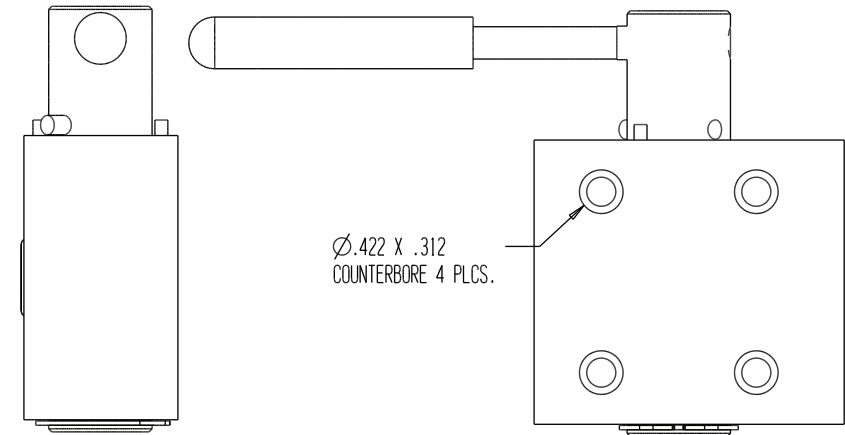
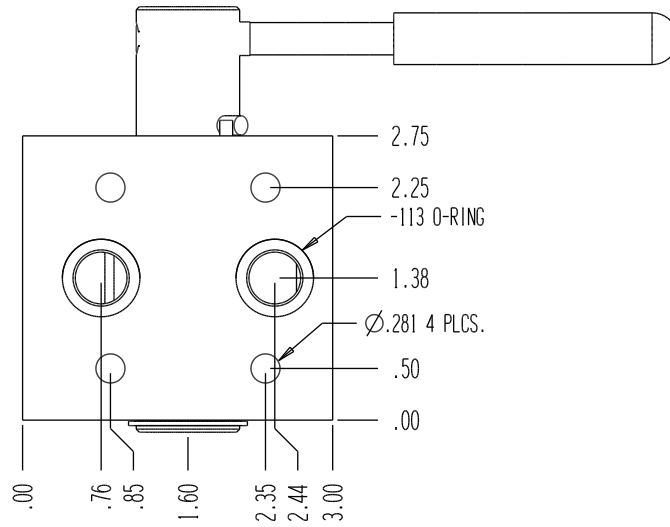
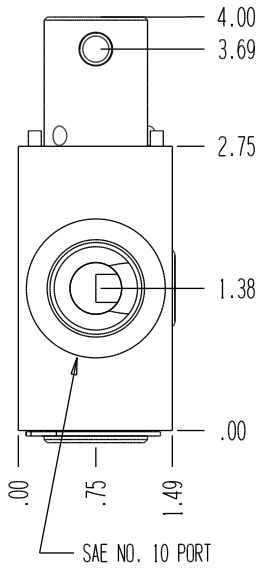
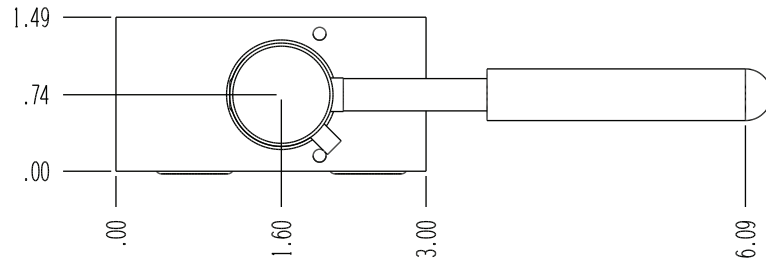


8251

MANIFOLD MOUNTED SELECTOR
VALVE WITH THROUGH FLOW AND BYPASS



FUNCTIONAL SYMBOL

GENERAL SPECIFICATIONS

PRESSURE	5,000 PSI WORKING
FLOW RATE	20 GPM
MEDIA	PETROLEUM MINERAL BASE SAE 20. OTHER BASES MAY REQUIRE SEAL CHANGES.
SEAL KIT	1184
LEAKAGE	INTERNAL-5 CUBIC INCHES/MIN., EXTERNAL-NONE.