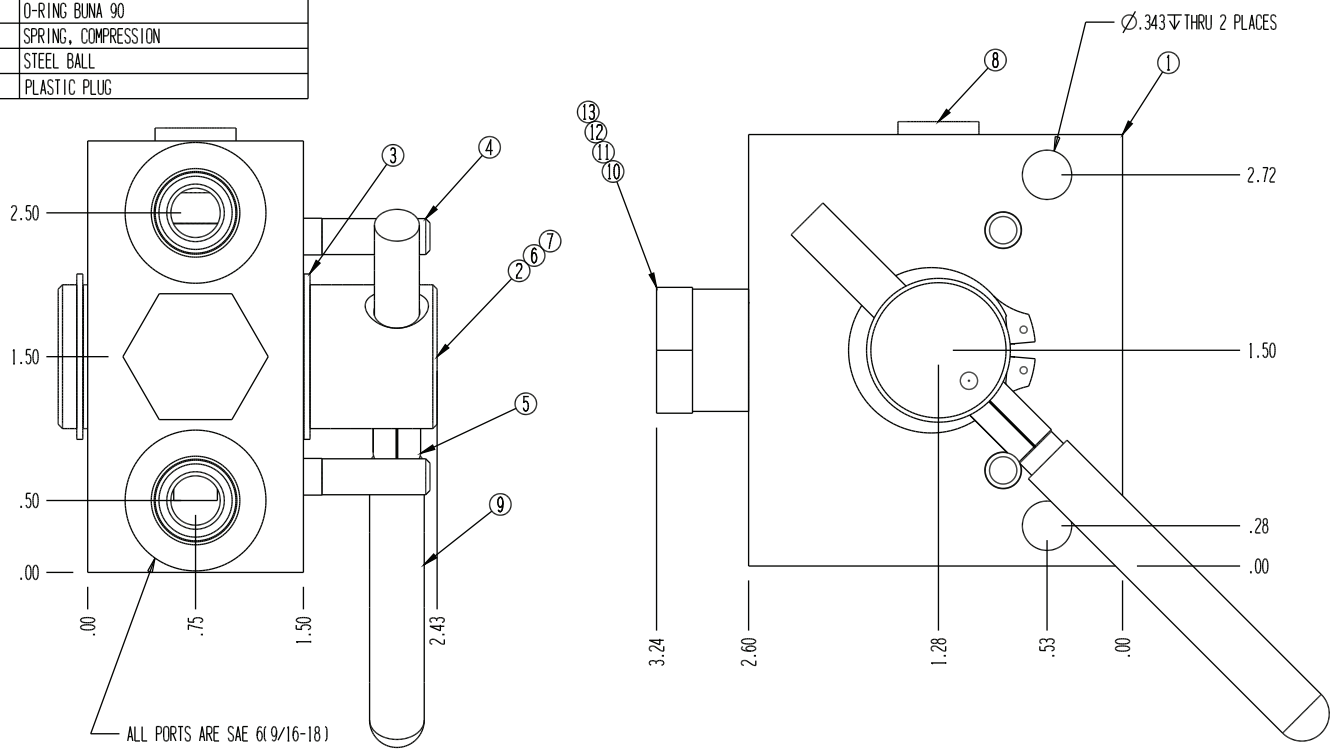


ITEM	QUANTITY	PART NUMBER	DESCRIPTION
1	1	5969	BODY
2	1	5968	SPOOL
3	2	1079	SNAP RING
4	2	1284	PIN .25X1.5
5	1	5408	PIN .31X5.0
6	2	1100-210	O-RING
7	2	1089-210	BACK-UP RING
8	1	1132-04	HEX SOCKET PLUG
9	1	5034	PLASTIC SLEEVE
10	1	5248	CAP
11	1	1402-908	O-RING BUNA 90
12	1	5419	SPRING, COMPRESSION
13	1	1087-375	STEEL BALL
14	3	1219-6	PLASTIC PLUG



8289