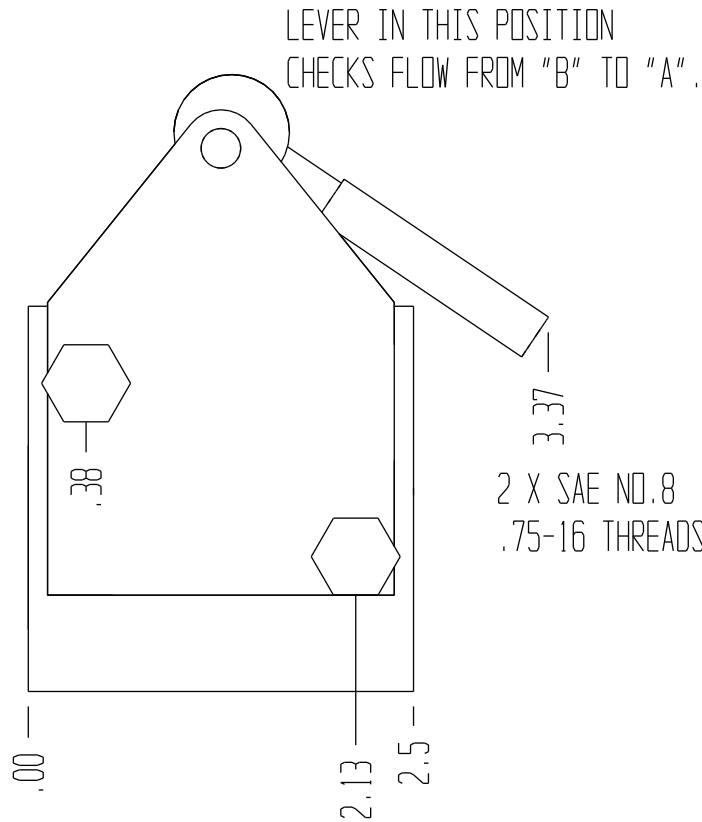
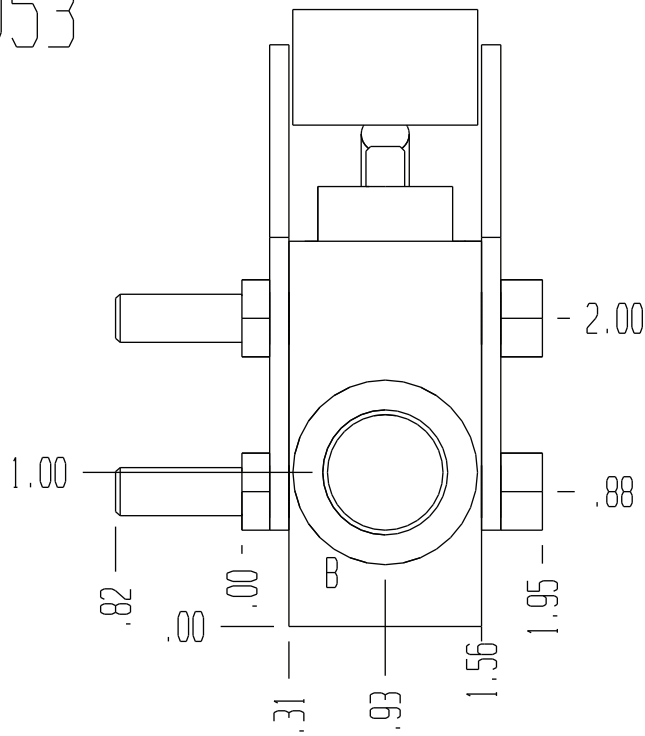
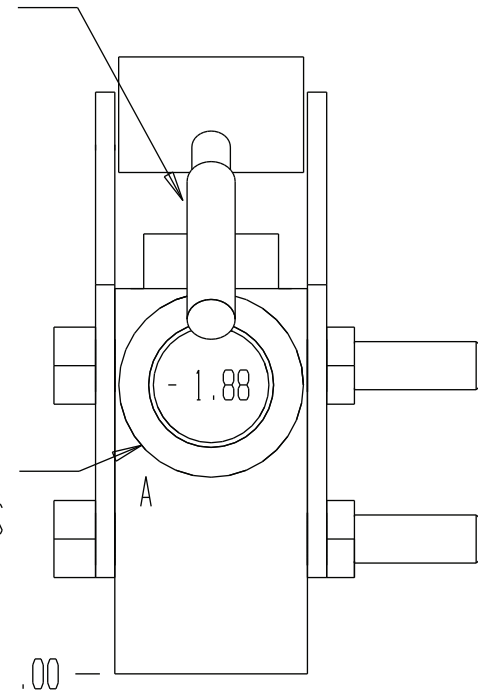


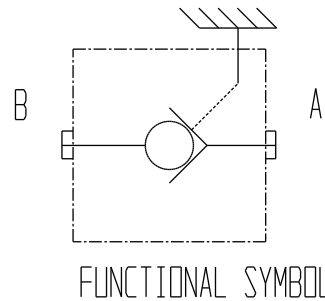
8053



2 X SAE NO. 8  
.75-16 THREADS



GENERAL SPECIFICATIONS	
PRESSURE	5,000 PSI WORKING
FLOW RATE	15 GPM
MEDIA	PETROLEUM MINERAL BASE SAE 20. OTHER BASES MAY REQUIRE SEAL CHANGES.
SEAL KIT	
LEAKAGE - MAX.	INTERNAL - 5 DROPS/MIN., EXTERNAL - NONE.



NORMALLY CLOSED CHECK VALVE WITH TOGGLE RELEASE. THE OVER-CENTER TOGGLE WILL HOLD THE VALVE OPEN. AN IDEAL APPLICATION SUGGESTION IS A "TRANSPORT LOCK". THIS VALVE HAS A LOW BIAS 2 PIECE CHECK POPPET.