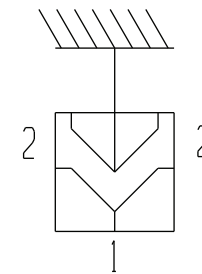
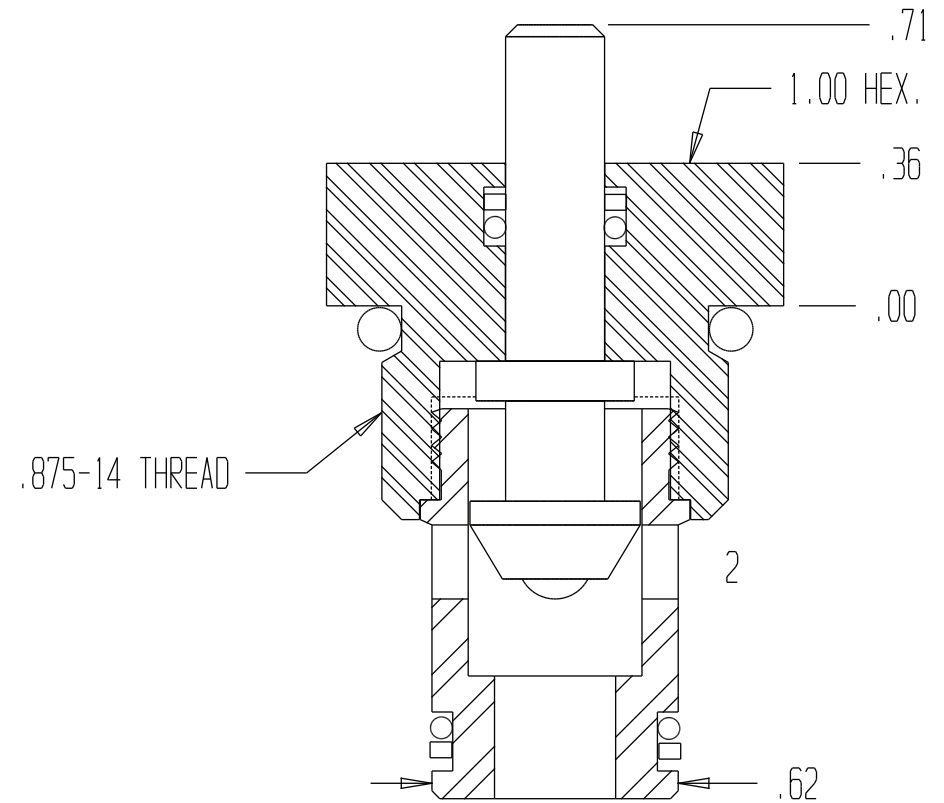


8078



FUNCTIONAL SYMBOL

CARTRIDGE STYLE LIMIT VALVE OR STROKE LIMITER.

GENERAL SPECIFICATIONS	
PRESSURE	5,000 PSI WORKING
FLOW RATE	10 GPM AT 100 PSI DIFFERENTIAL.
MEDIA	PETROLEUM MINERAL BASE SAE 20. OTHER BASES MAY REQUIRE SEAL CHANGES.
CAVITY	2141-10-2
SEAL KIT	5070-BUNA
LEAKAGE - MAX.	INTERNAL - 5 DROPS/MIN., EXTERNAL - NONE.