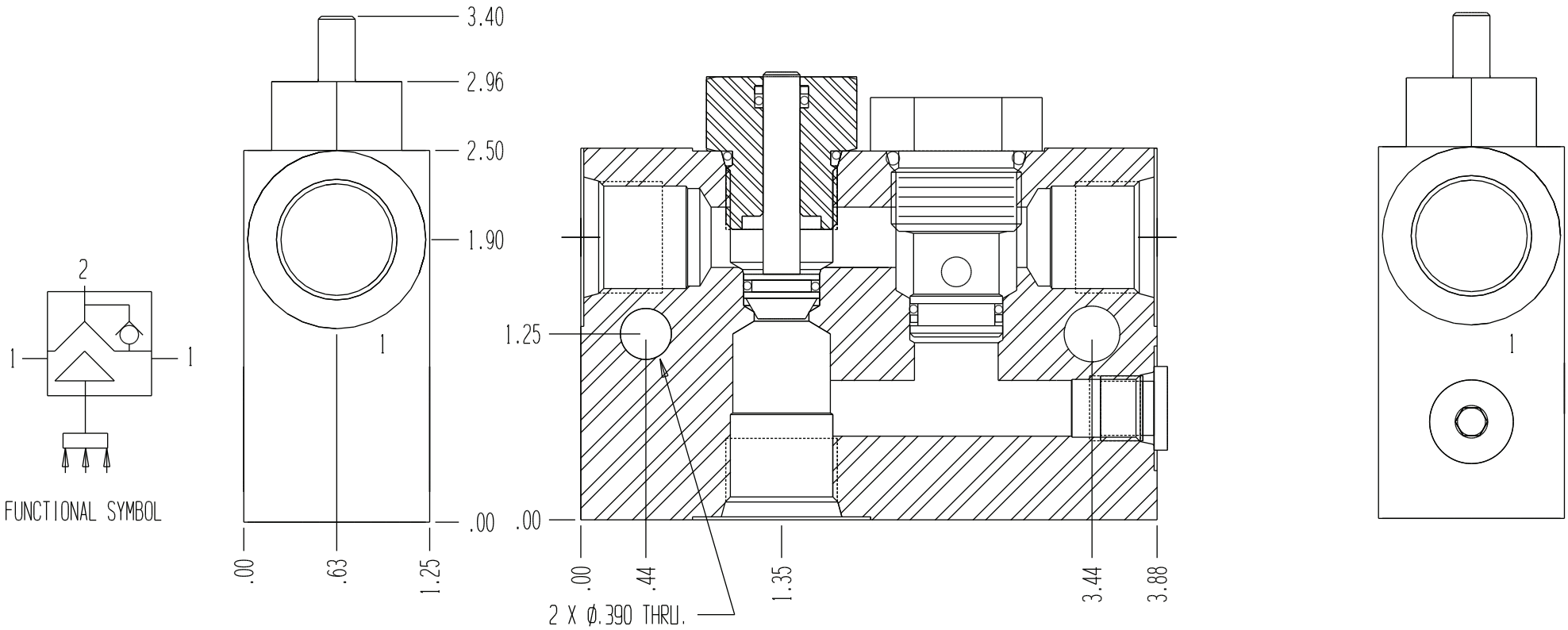
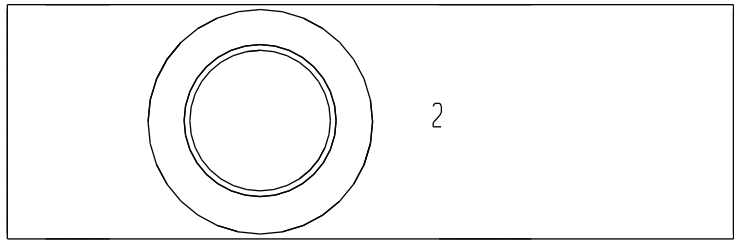


8124



FUNCTIONAL SYMBOL



- NOTES: 1. POPPET IS HEAT TREATED STAINLESS.
 2. BODY IS ZINC PLATED CARBON STEEL.
 3. THE THREE PORTS ARE SAE NO. 8 (.75-16).
 4. ONE FACE IS STAMPED WITH SHOEMAKER, INC. FORT WAYNE, IND., DATE, PART NUMBER.

GENERAL SPECIFICATIONS	
PRESSURE	5,000 PSI WORKING
FLOW RATE	20 GPM
MEDIA	PETROLEUM MINERAL BASE SAE 20. OTHER BASES MAY REQUIRE SEAL CHANGES.
SEAL KIT	5474
LEAKAGE	INTERNAL- ZERO DROPS/MIN., EXTERNAL-NONE.