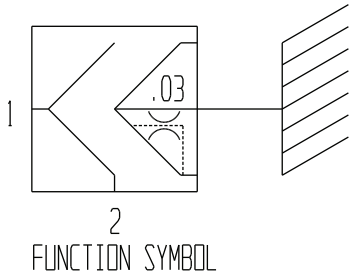
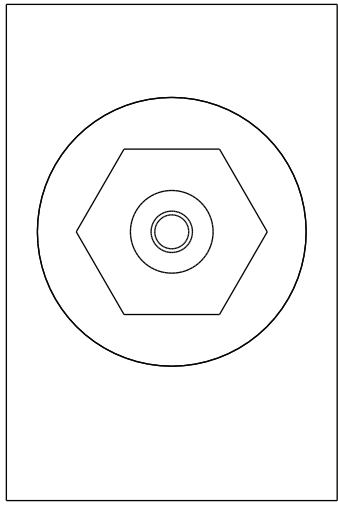
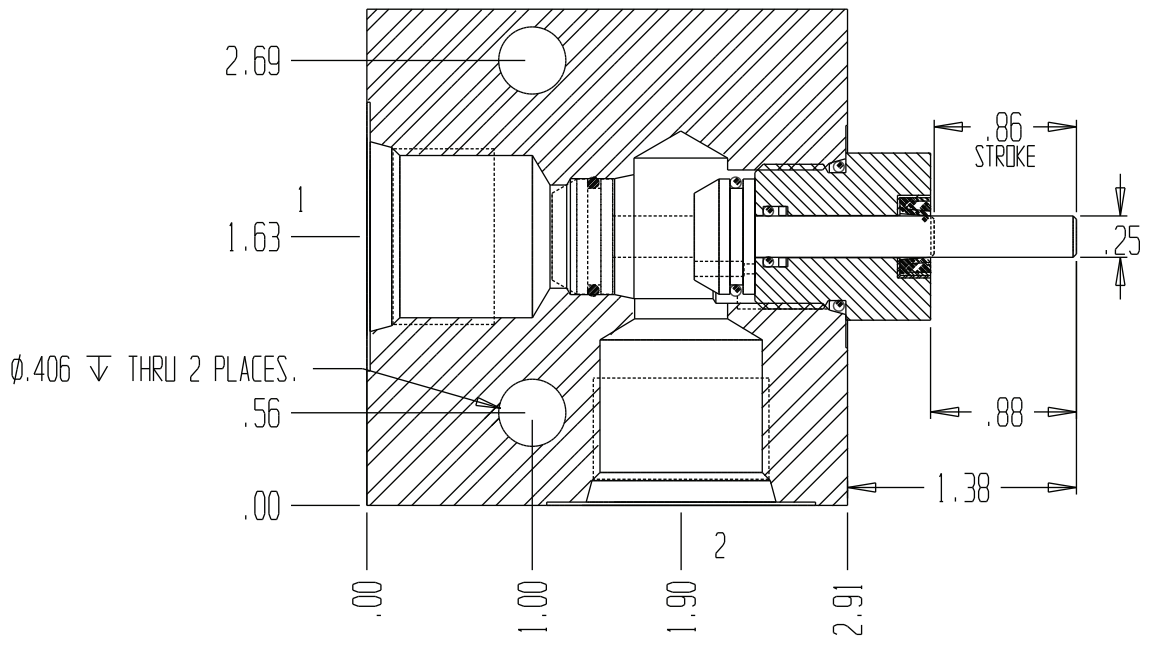
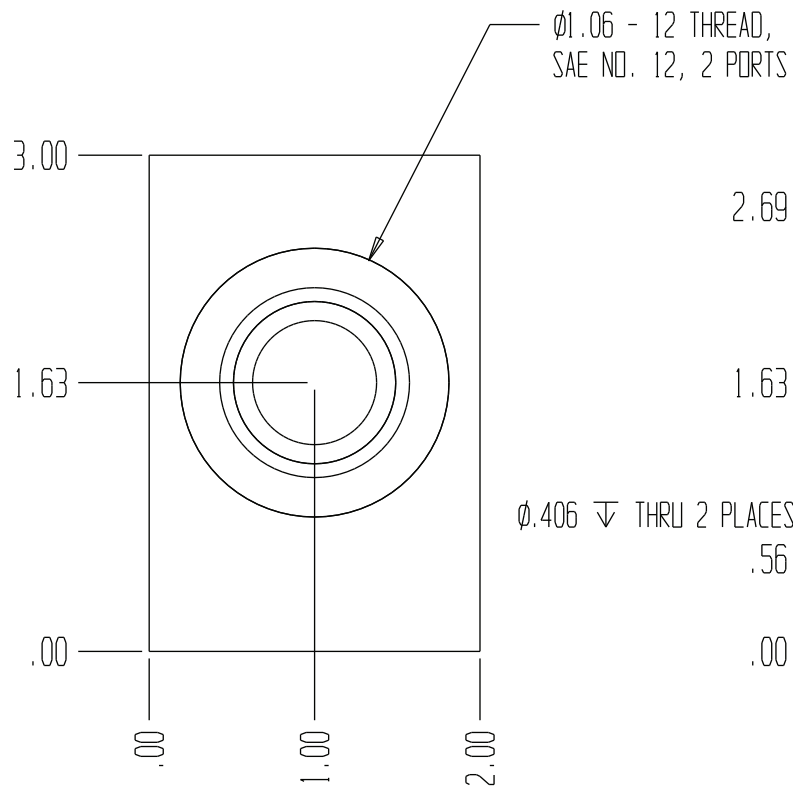


8127



GENERAL SPECIFICATIONS	
PRESSURE	5,000 PSI WORKING
FLOW RATE	35 GPM.
MEDIA	PETROLEUM MINERAL BASE SAE 20.
	OTHER BASES MAY REQUIRE SEAL CHANGES.
SEAL KIT	5428
LEAKAGE	INTERNAL-10 CUBIC INCHES/MIN., EXTERNAL-NONE.