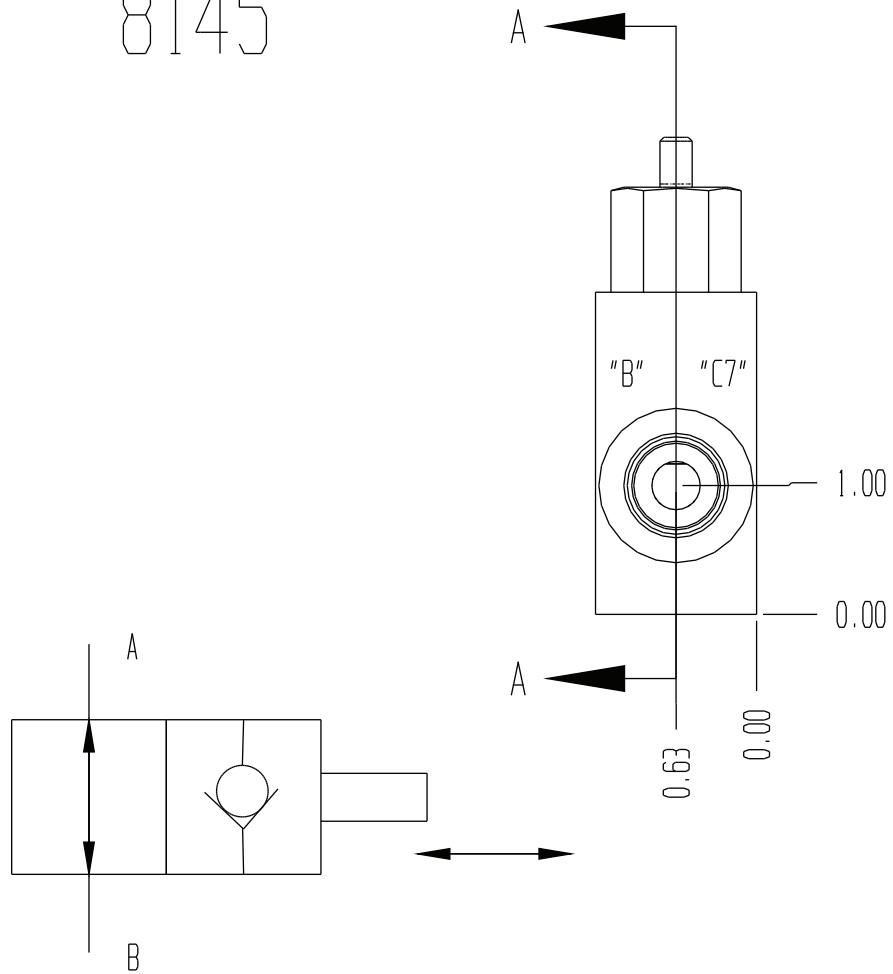
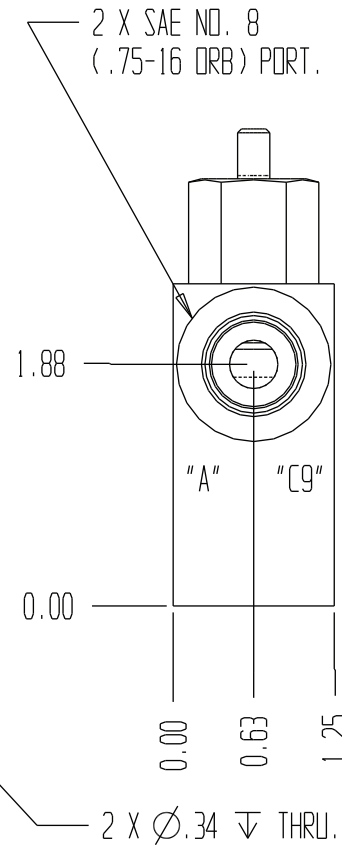
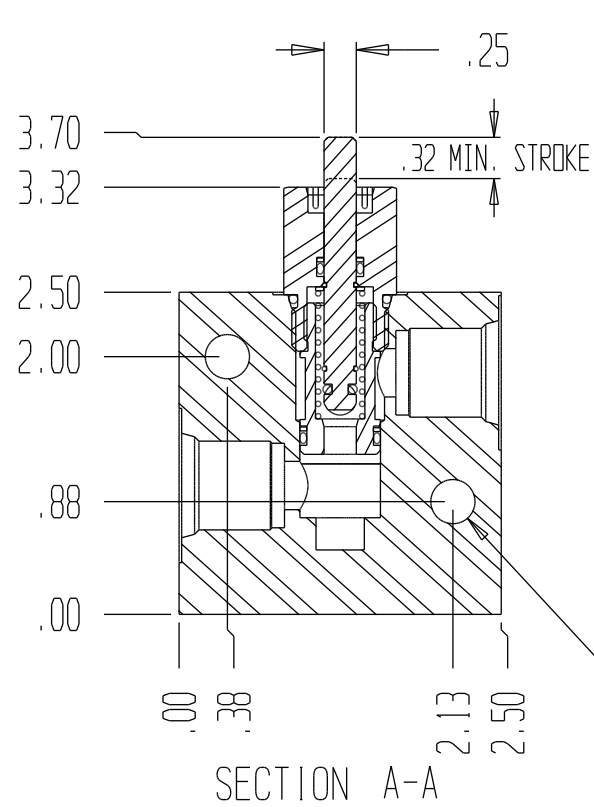


8145



FUNCTIONAL DIAGRAM



GENERAL SPECIFICATIONS	
PRESSURE	5,000 PSI WORKING
FLOW RATE	15 GPM
MEDIA	PETROLEUM MINERAL BASE SAE 20. OTHER BASES MAY REQUIRE SEAL CHANGES.
SEAL KIT	
LEAKAGE	INTERNAL- 0 CUBIC INCHES/MIN., EXTERNAL-NONE.