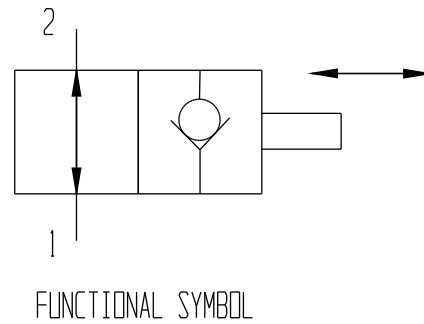
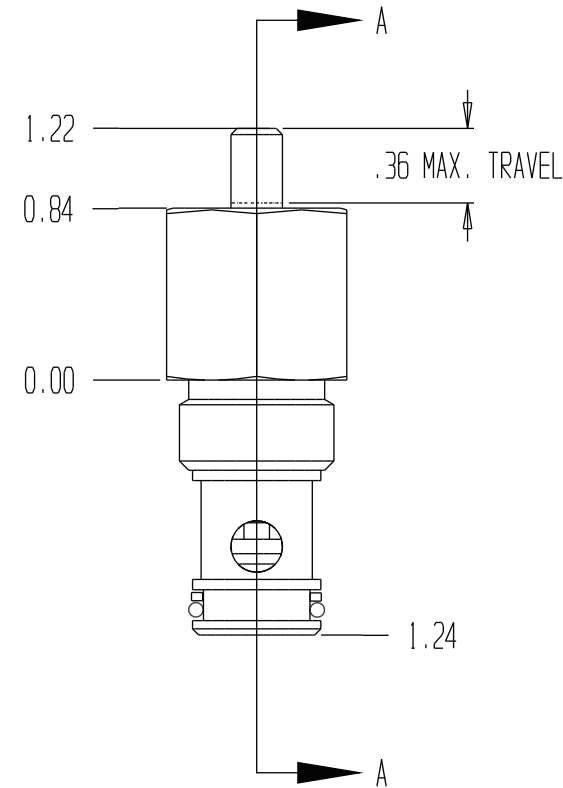
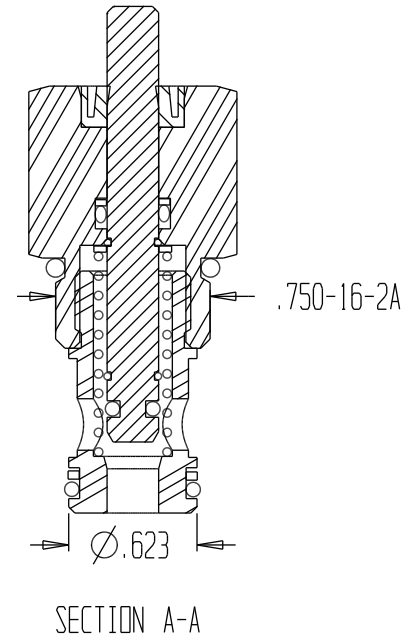


# 8146



GENERAL SPECIFICATIONS	
PRESSURE	3,000 PSI WORKING. 150 LBS. FORCE TO CLOSE VALVE.
FLOW RATE	15 GPM AT 100 PSI DIFFERENTIAL.
MEDIA	PETROLEUM MINERAL BASE SAE 20. OTHER BASES MAY REQUIRE SEAL CHANGES.
CAVITY	CAV-85-2
SEAL KIT	
LEAKAGE	INTERNAL-1 CUBIC INCH/MIN., EXTERNAL-NONE.