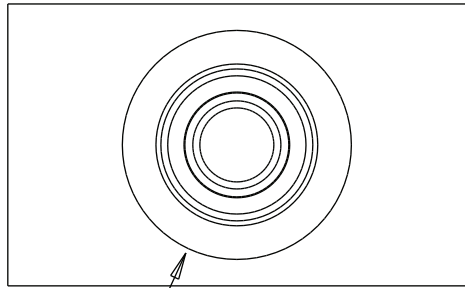
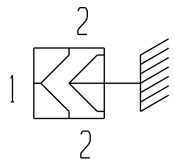
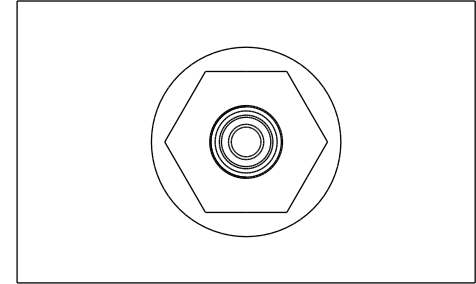
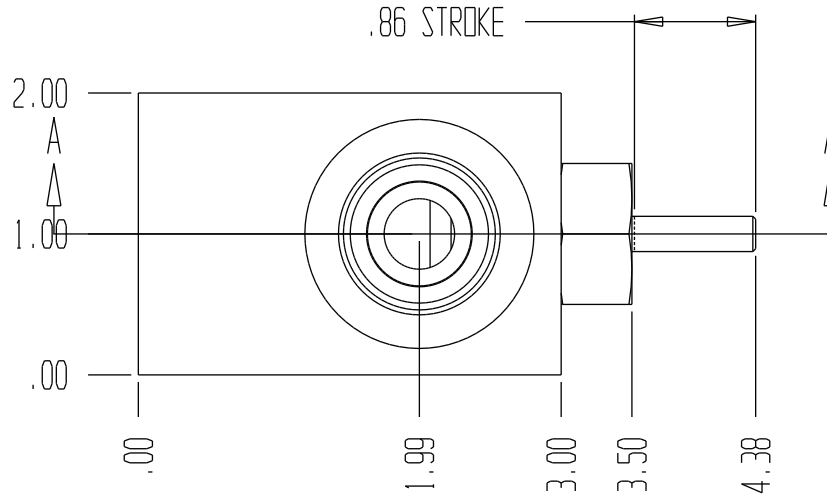


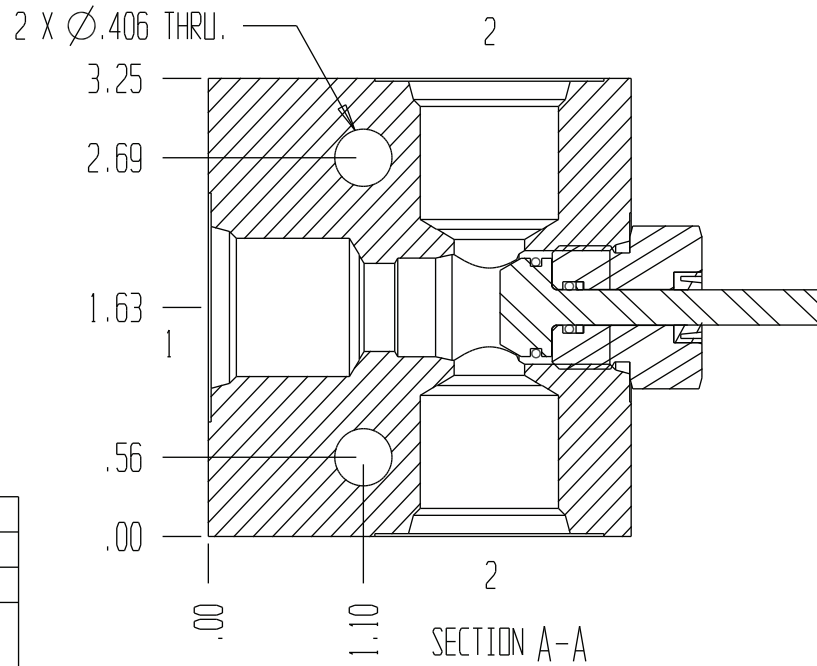
# 8157



3 PORTS,  $\varnothing$  1.06-12-2B,  
SAE NO. 12 .



FUNCTION SYMBOL



GENERAL SPECIFICATIONS	
PRESSURE	5,000 PSI WORKING
FLOW RATE	35 GPM
MEDIA	PETROLEUM MINERAL BASE SAE 20. OTHER BASES MAY REQUIRE SEAL CHANGES.
SEAL KIT	5428, SEALS ONLY
REPAIR KIT	5468, INCLUDES 8103 ASM. AND 1574-015
LEAKAGE	INTERNAL-10 CUBIC INCHES/MIN., EXTERNAL-NONE.