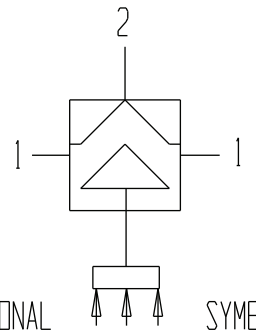
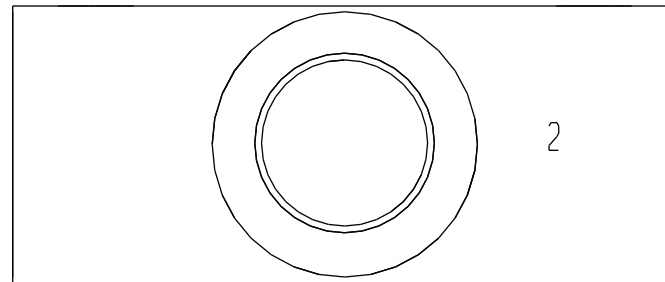
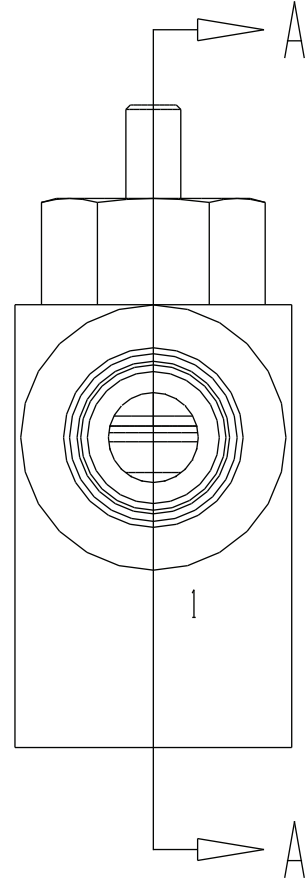
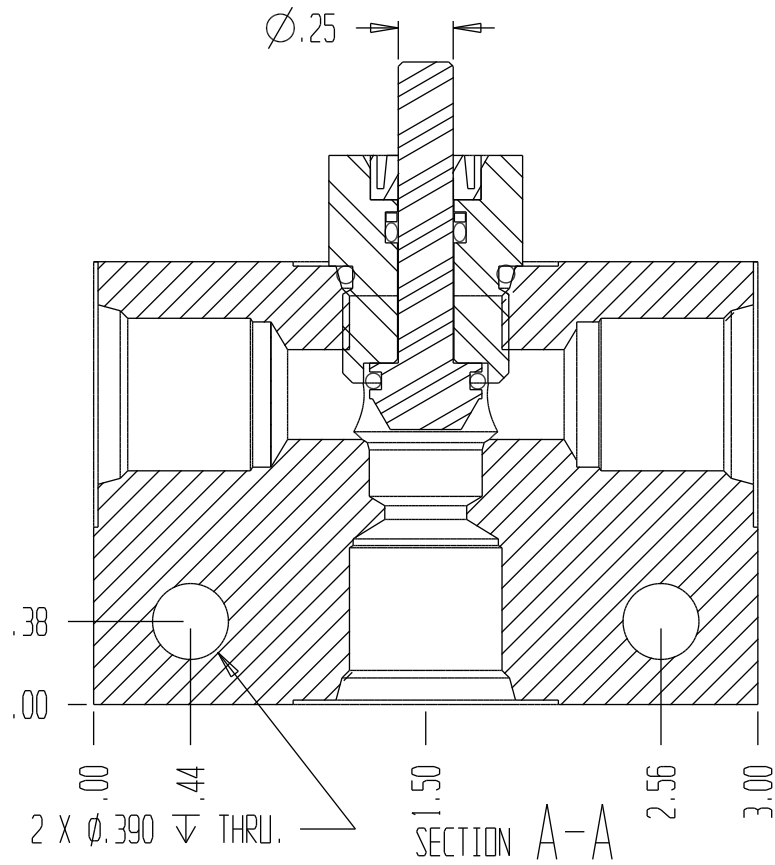
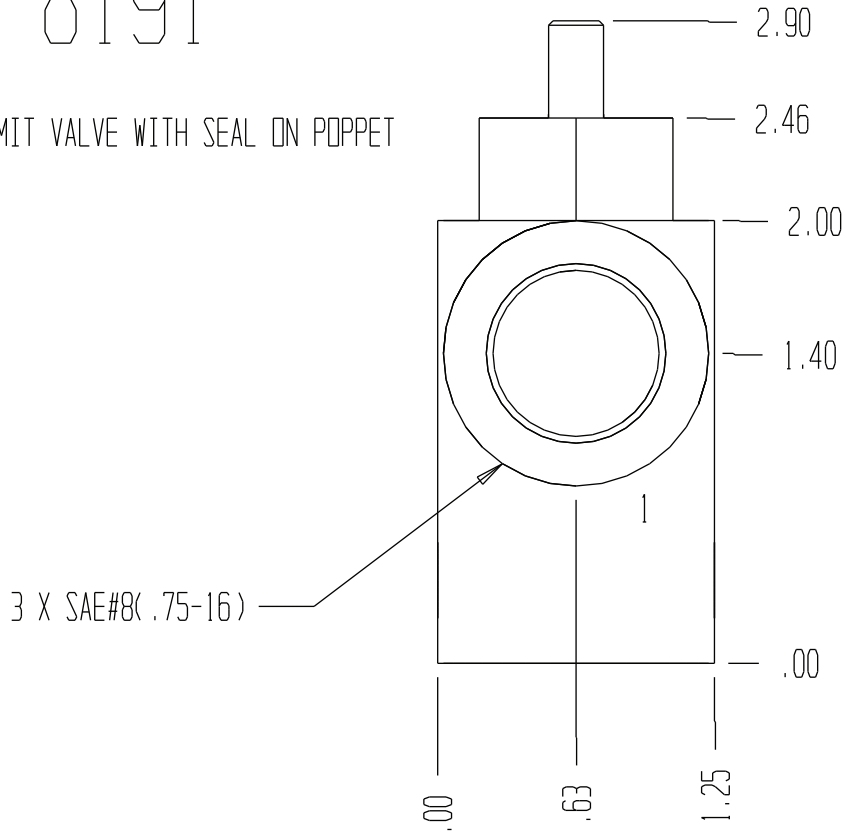


# 8191

LIMIT VALVE WITH SEAL ON POPPET



| GENERAL SPECIFICATIONS |   |
|------------------------|---|
| PRESSURE               | 5,000 PSI WORKING   |
| FLOW RATE              | 20 GPM MAX.   |
| MEDIA                  | PETROLEUM MINERAL BASE SAE 20.<br>OTHER BASES MAY REQUIRE SEAL CHANGES. |
| SEAL KIT               | 5693  |
| LEAKAGE                | INTERNAL- 0 CUBIC INCHES/MIN., EXTERNAL-NONE.                           |