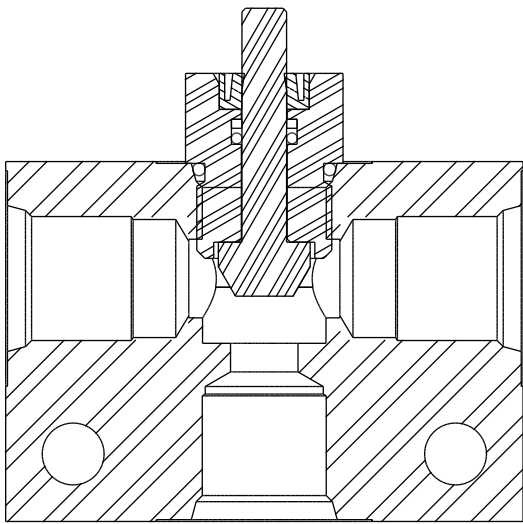
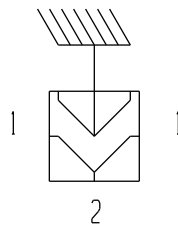
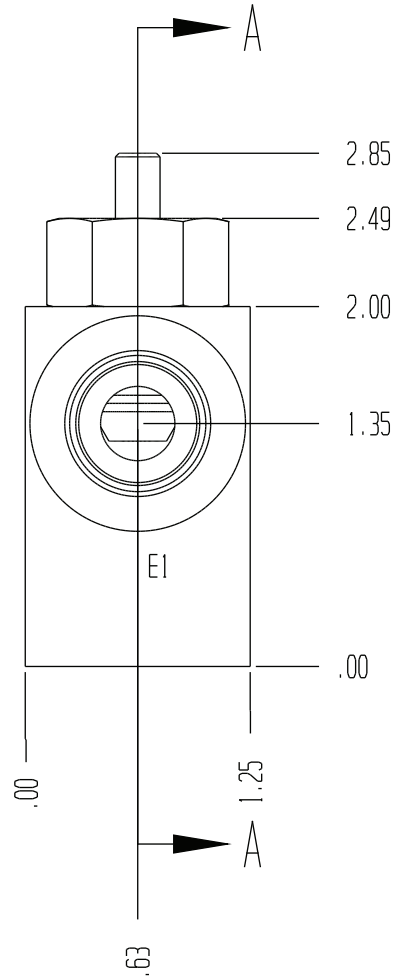


8210

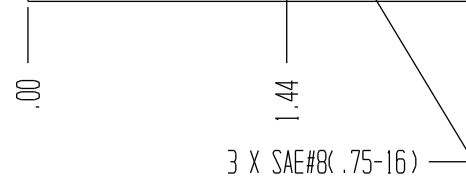
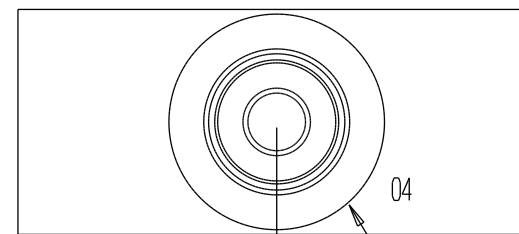
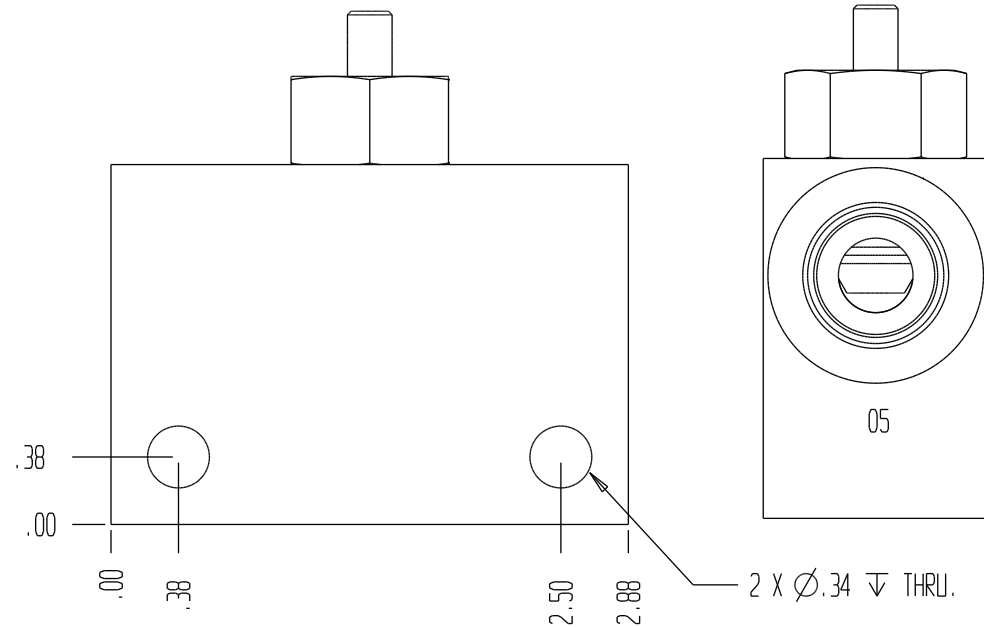
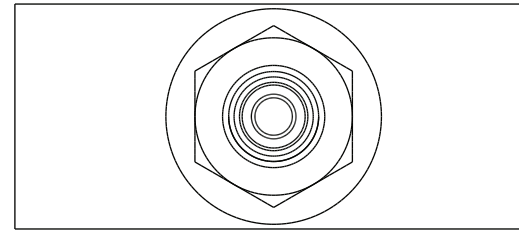
STOP VALVE



SECTION A-A



FUNCTION SYMBOL



GENERAL SPECIFICATIONS	
PRESSURE	5,000 PSI WORKING
FLOW RATE	20 GPM.
MEDIA	PETROLEUM MINERAL BASE SAE 20. OTHER BASES MAY REQUIRE SEAL CHANGES.
SEAL KIT	5744
LEAKAGE	INTERNAL-20 DROPS/MIN., EXTERNAL-NONE.