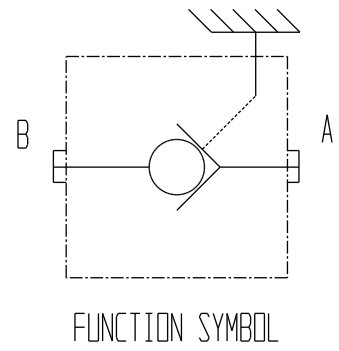
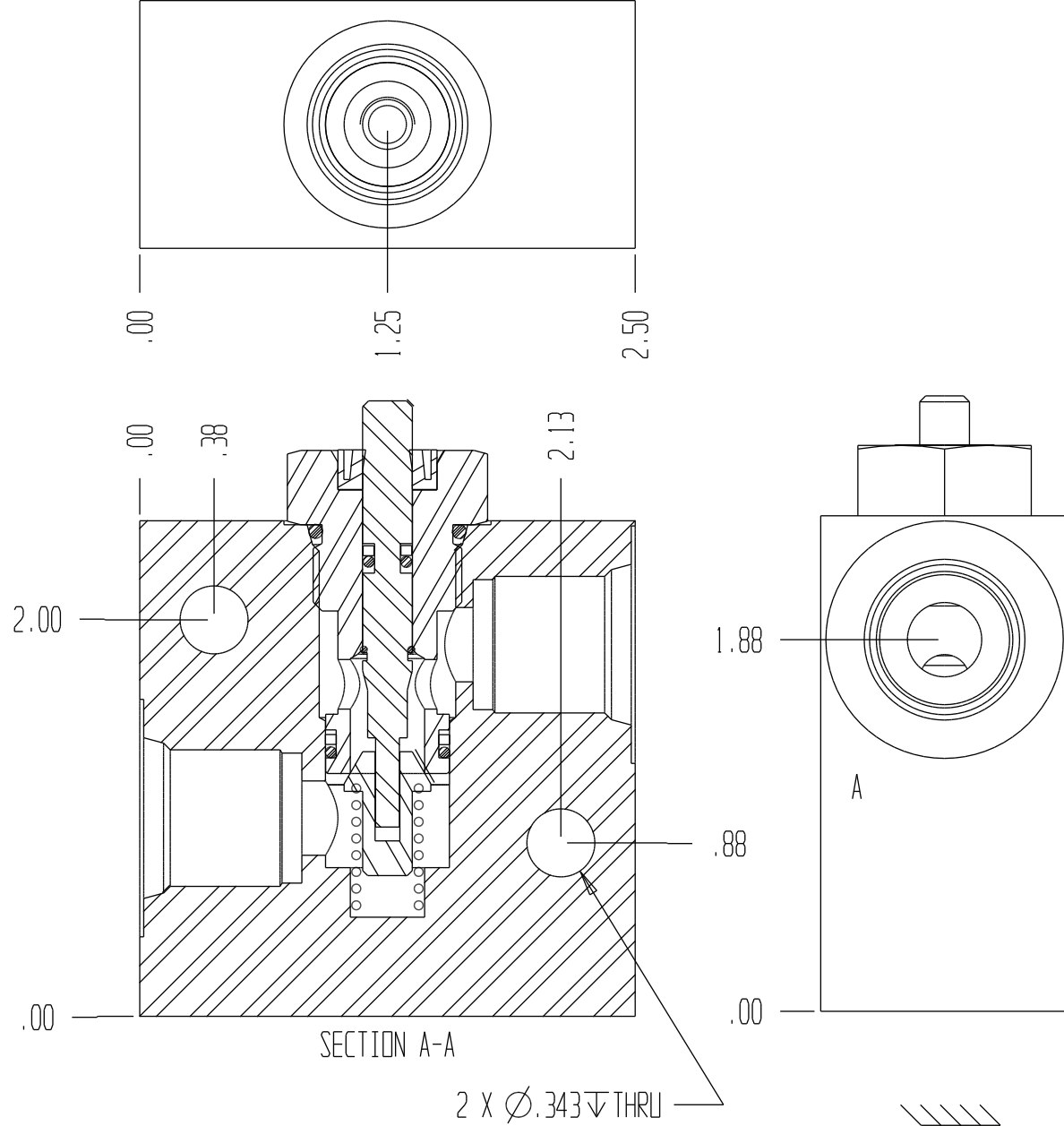
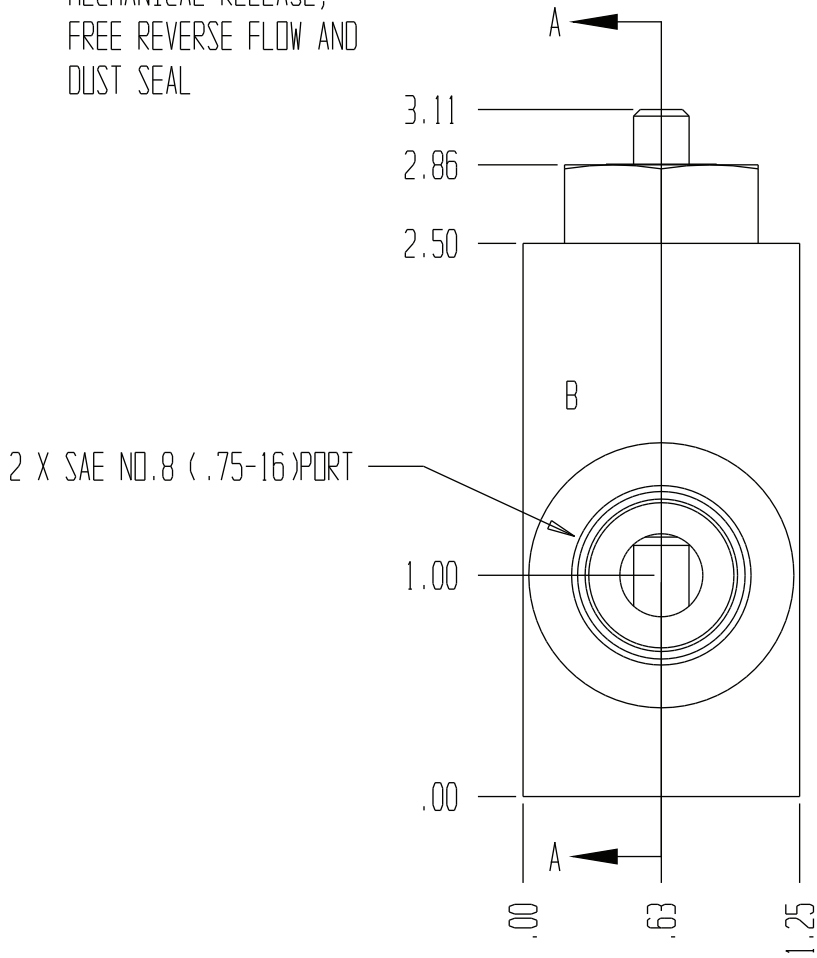


# 8241

NORMALLY CLOSED  
CHECK VALVE WITH  
MECHANICAL RELEASE,  
FREE REVERSE FLOW AND  
DUST SEAL



GENERAL SPECIFICATIONS	
PRESSURE	5,000 PSI WORKING
FLOW RATE	15 GPM
MEDIA	PETROLEUM MINERAL BASE SAE 20. OTHER BASES MAY REQUIRE SEAL CHANGES.
SEAL KIT	5129
LEAKAGE	INTERNAL-5 DROPS/MIN., EXTERNAL-NONE.