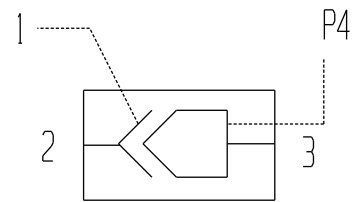
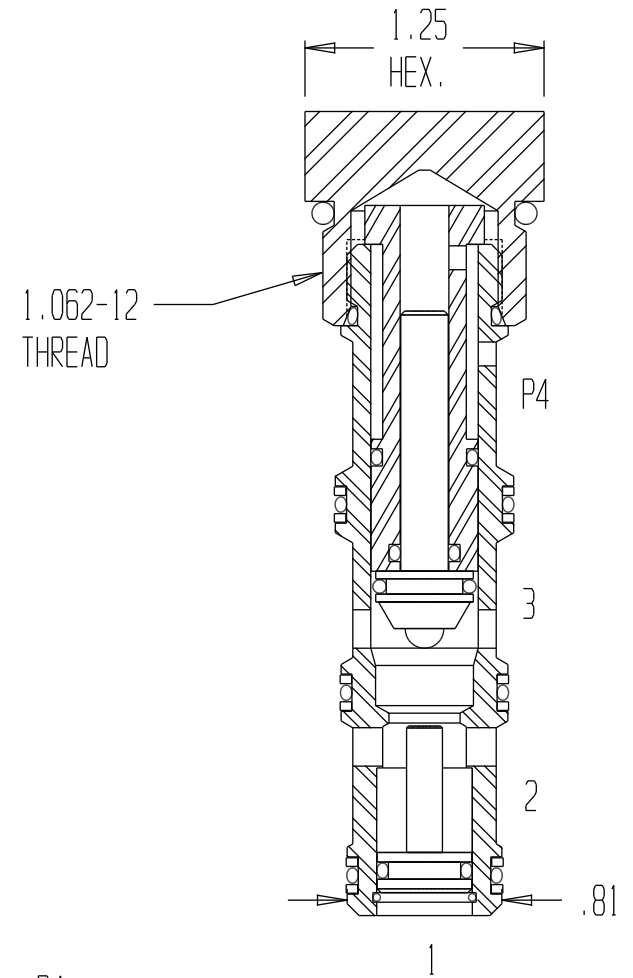


# LIMIT-12-0



FUNCTIONAL SYMBOL

WHEN THIS CARTRIDGE VALVE IS PILOTED AT P4, THE POPPET MOVES TOWARD CLOSING AND IS FULLY CLOSED WITH FLOW ENTERING AT 3. PILOT AT 1 OR REVERSE FLOW AT 2 WILL OPEN THE VALVE PERMITTING FLOW FROM 2 TO 3 OR 3 TO 2.

GENERAL SPECIFICATIONS	
PRESSURE	5,000 PSI WORKING
FLOW RATE	18 GPM AT 100 PSI DIFFERENTIAL.
MEDIA	PETROLEUM MINERAL BASE SAE 20. OTHER BASES MAY REQUIRE SEAL CHANGES.
CAVITY	5364-12-4
SEAL KIT	
LEAKAGE - MAX.	INTERNAL-5 DROPS/MIN., EXTERNAL-NONE.