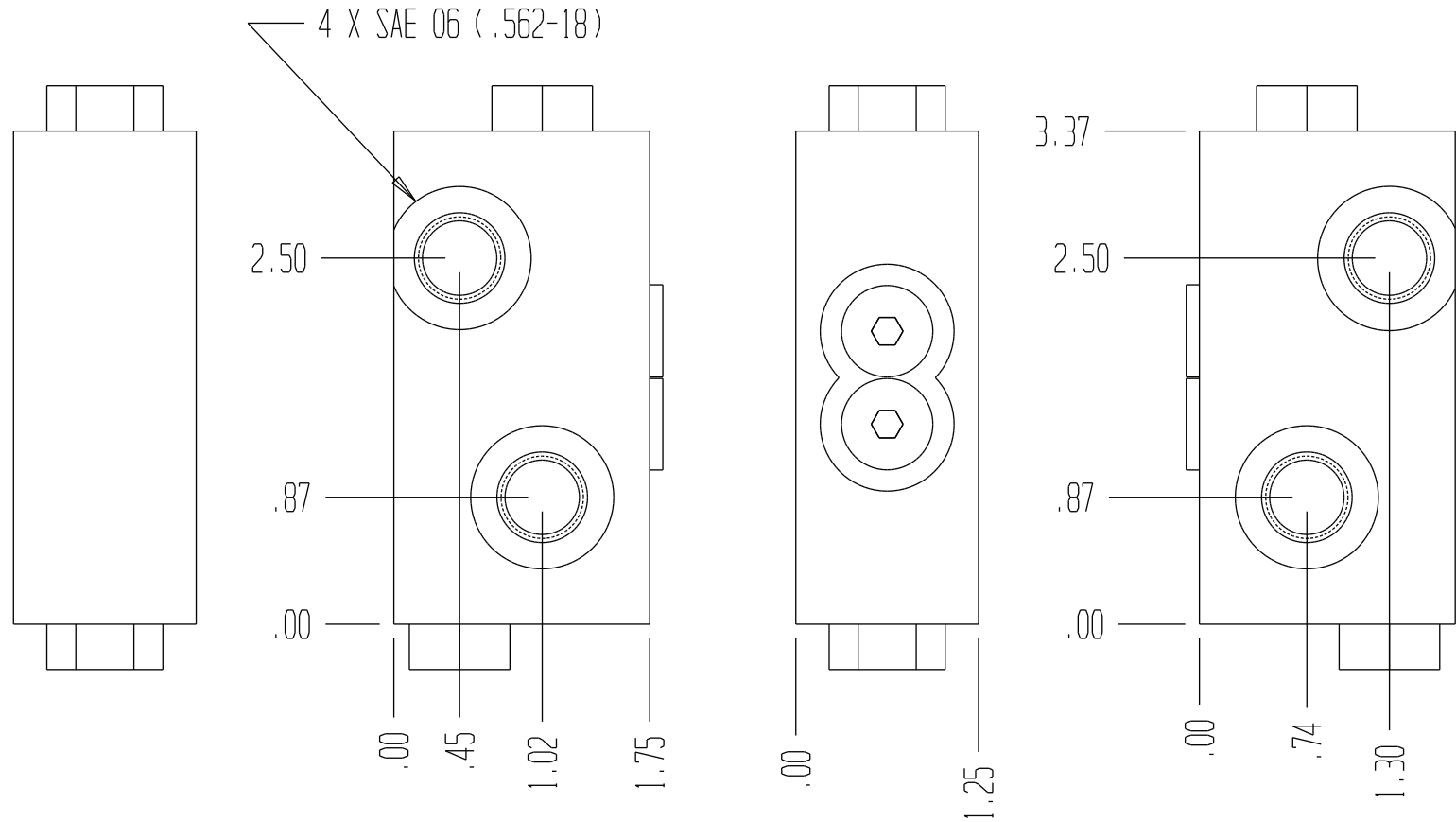
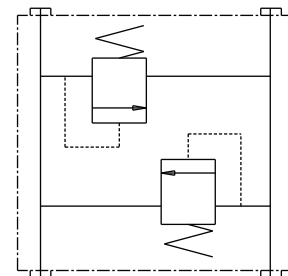


2066



GENERAL SPECIFICATIONS	
PRESSURE	5,000 PSI WORKING
FLOW RATE	12 GPM MAX.
MEDIA	PETROLEUM MINERAL BASE SAE 20. OTHER BASES MAY REQUIRE SEAL CHANGES.
SEAL KIT	
LEAKAGE - MAX.	INTERNAL - 10 DROPS/MIN., EXTERNAL-NONE.



FUNCTIONAL SYMBOL

DIRECT OPERATED CROSS-OVER RELIEF OR CUSHION VALVE. FIXED SETTING IS 1400-1500 PSI AT 12 GPM.