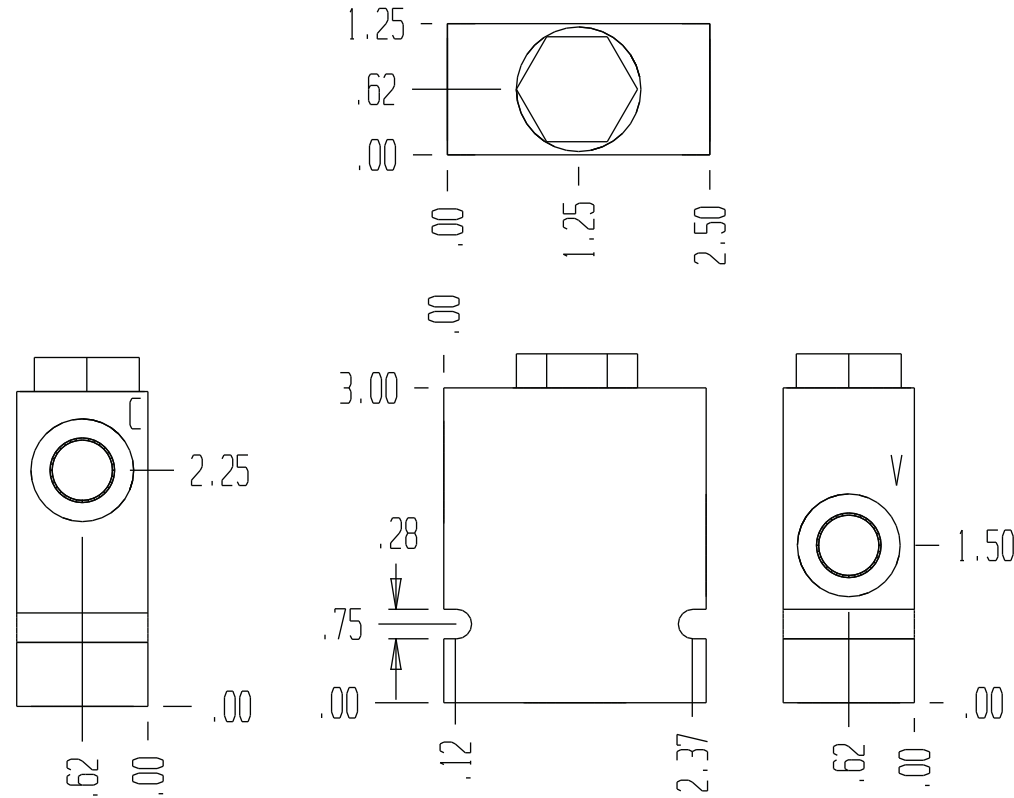
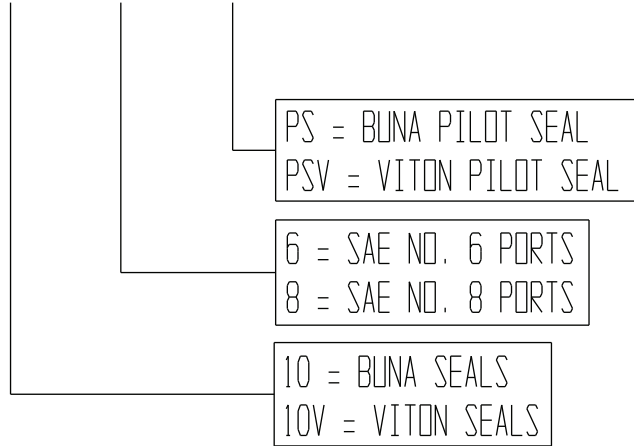
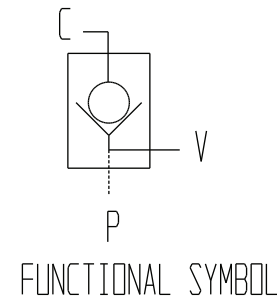
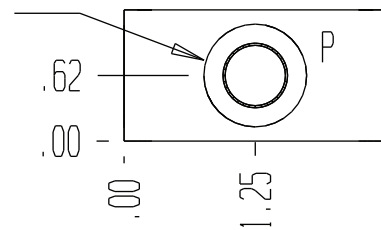


2184-10X-X-XXX



SAE NO. 6 (.56-18) O-RING PORT



SINGLE PILOT CHECK VALVE

GENERAL SPECIFICATIONS	
PRESSURE	5,000 PSI WORKING
FLOW RATE	12 GPM AT 100 PSI DIFFERENTIAL
MEDIA	PETROLEUM MINERAL BASE SAE 20. OTHER BASES MAY REQUIRE SEAL CHANGES.
SEAL KIT	
LEAKAGE - MAX.	INTERNAL-5 DROPS/MIN., EXTERNAL-NONE.