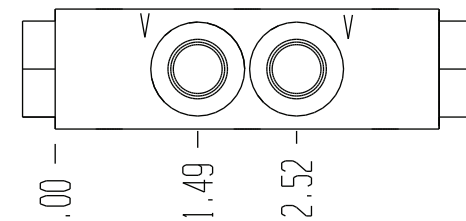
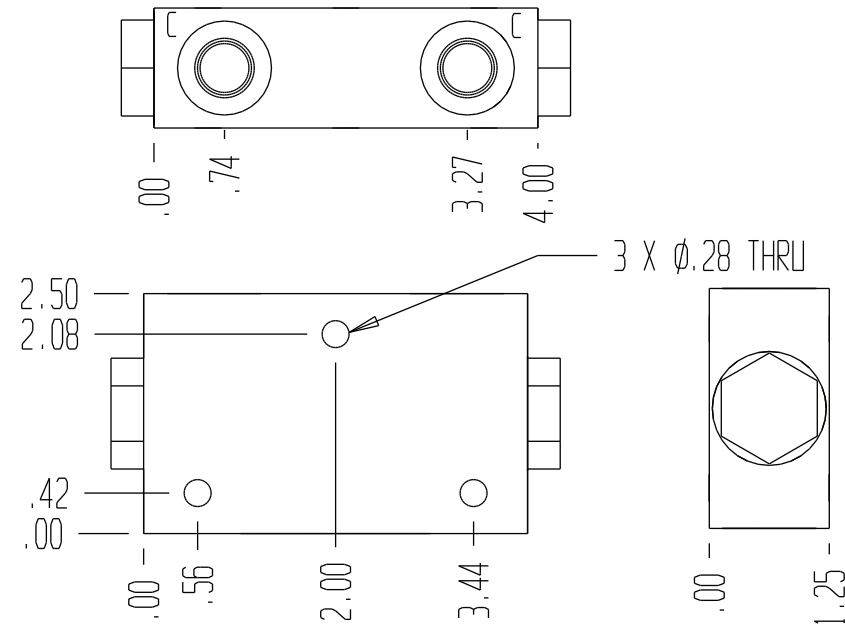
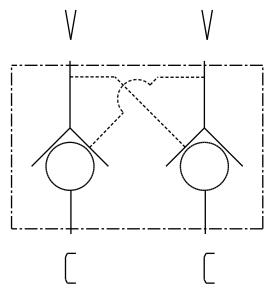


8042-X-X

- 6 = SAE #6 PORTS
- 8 = SAE #8 PORTS
- N = BUNA NITRILE O-RING SEALS
- V = VITON O-RING SEALS
- U = URETHANE O-RING SEALS



GENERAL SPECIFICATIONS	
PRESSURE	5,000 PSI WORKING
FLOW RATE	10 GPM AT 100 PSI DIFFERENTIAL.
MEDIA	PETROLEUM MINERAL BASE SAE 20. OTHER BASES MAY REQUIRE SEAL CHANGES.
LEAKAGE X CHECK	MAXIMUM = 10 DROPS/MIN.
LEAKAGE - MAX.	INTERNAL-10 CUBIC INCHES/MIN., EXTERNAL-NONE.



FUNCTIONAL SYMBOL

DOUBLE PILOT CHECK VALVE