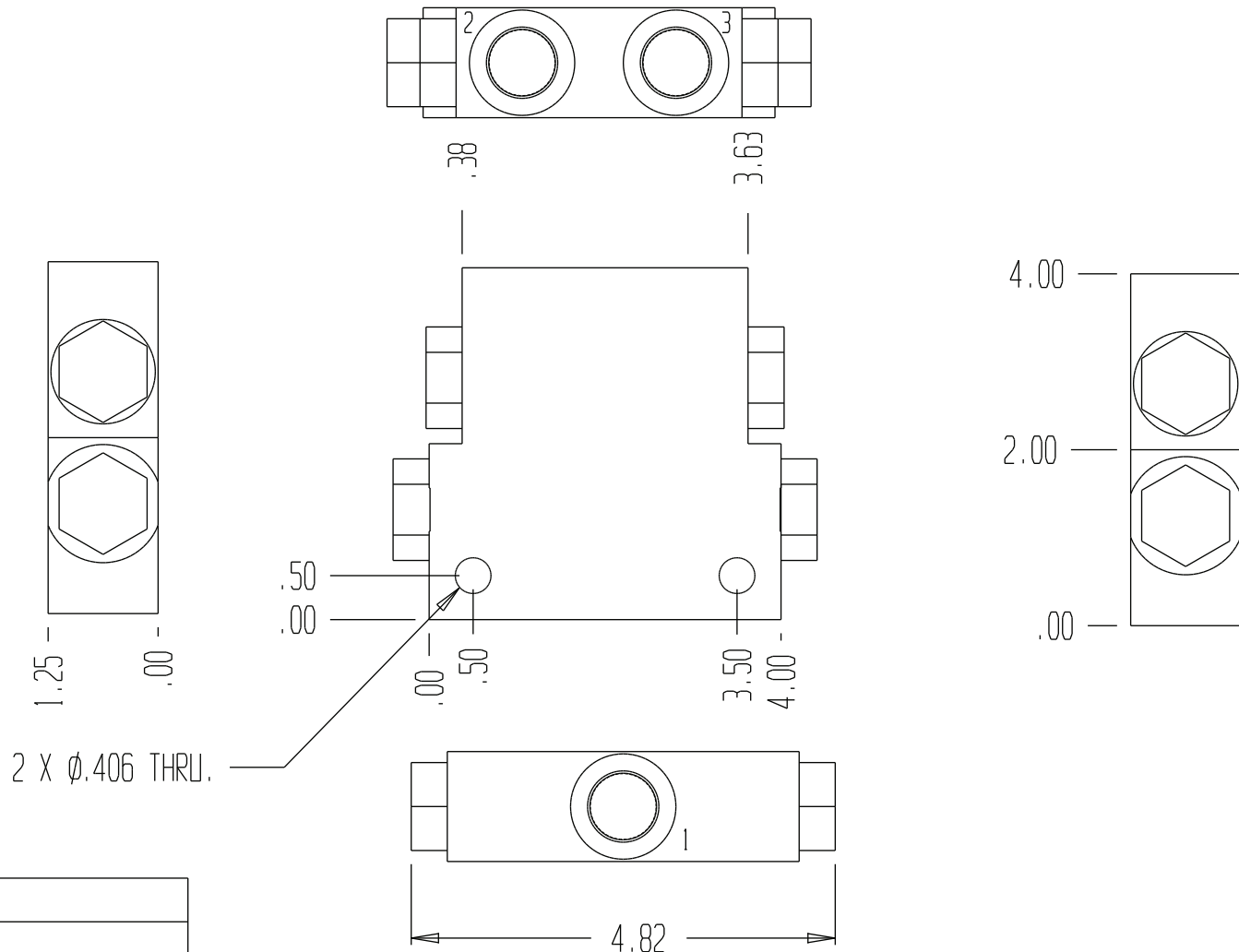
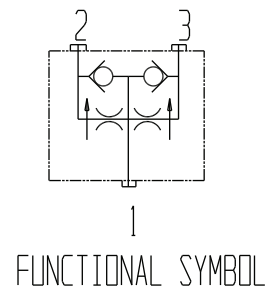


8077



GENERAL SPECIFICATIONS	
PRESSURE	5,000 PSI WORKING
FLOW RATE	20 GPM AT 150 PSI DIFFERENTIAL
MEDIA	PETROLEUM MINERAL BASE SAE 20. OTHER BASES MAY REQUIRE SEAL CHANGES.
SEAL KIT	
LEAKAGE - MAX.	INTERNAL- ONLY.
CRACK PRESSURE	12 PSI. FOR CHECK CARTRIDGES
PILOT RATIO	4 : 1



DIVIDE ONLY VALVE WITH FREE REVERSE FLOW
FOR FAST LOWERING OR RETURN.