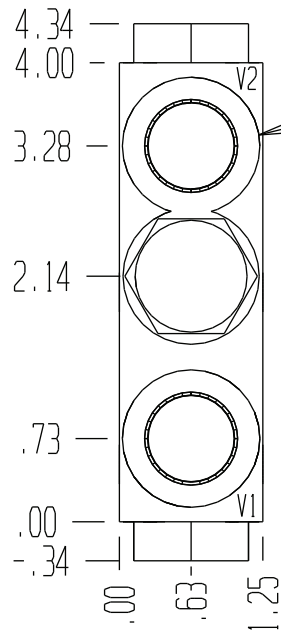
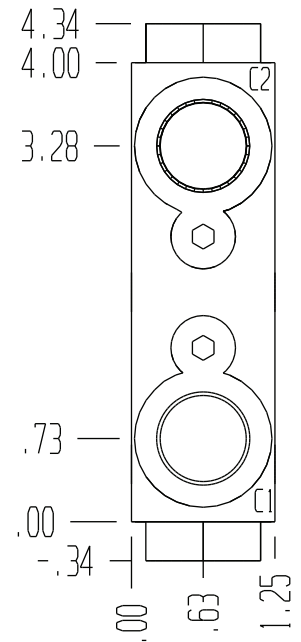
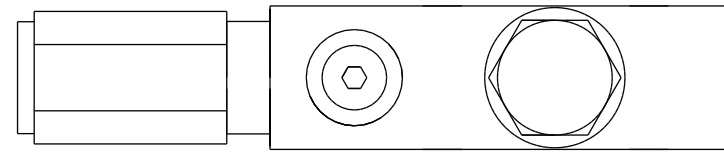
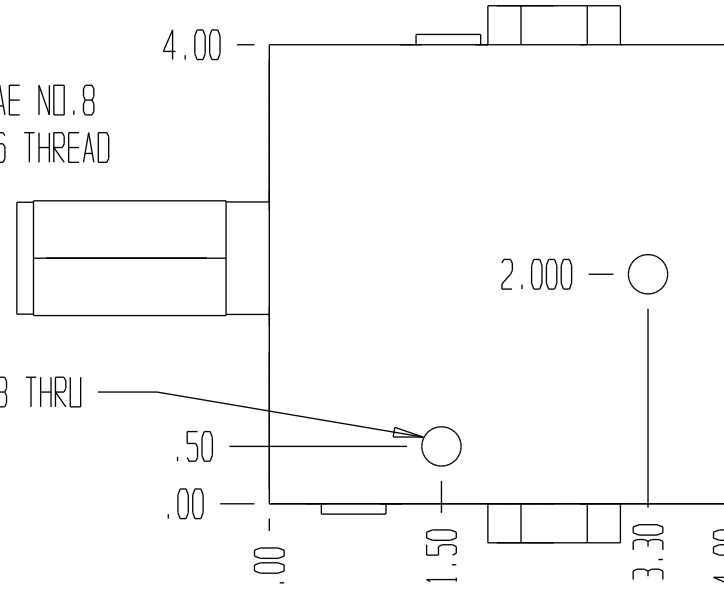
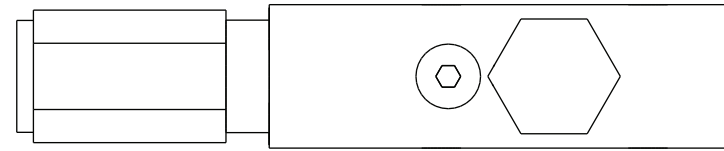


8099

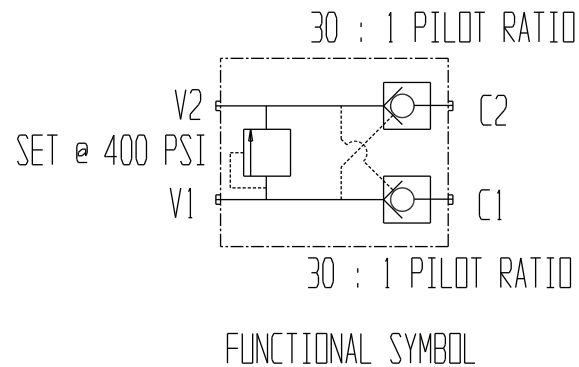


4 X SAE NO.8  
.75-16 THREAD

2 X Ø.343 THRU



GENERAL SPECIFICATIONS	
PRESSURE	5,000 PSI WORKING
FLOW RATE	10 GPM AT 100 PSI DIFFERENTIAL.
MEDIA	PETROLEUM MINERAL BASE SAE 20. OTHER BASES MAY REQUIRE SEAL CHANGES.
LEAKAGE X CHECK	MAXIMUM = 10 DROPS/MIN.
LEAKAGE - MAX.	INTERNAL-10 CUBIC INCHES/MIN., EXTERNAL-NONE.



DOUBLE PILOT CHECK VALVE  
WITH INLET RELIEF.