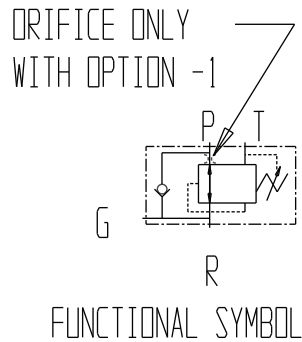
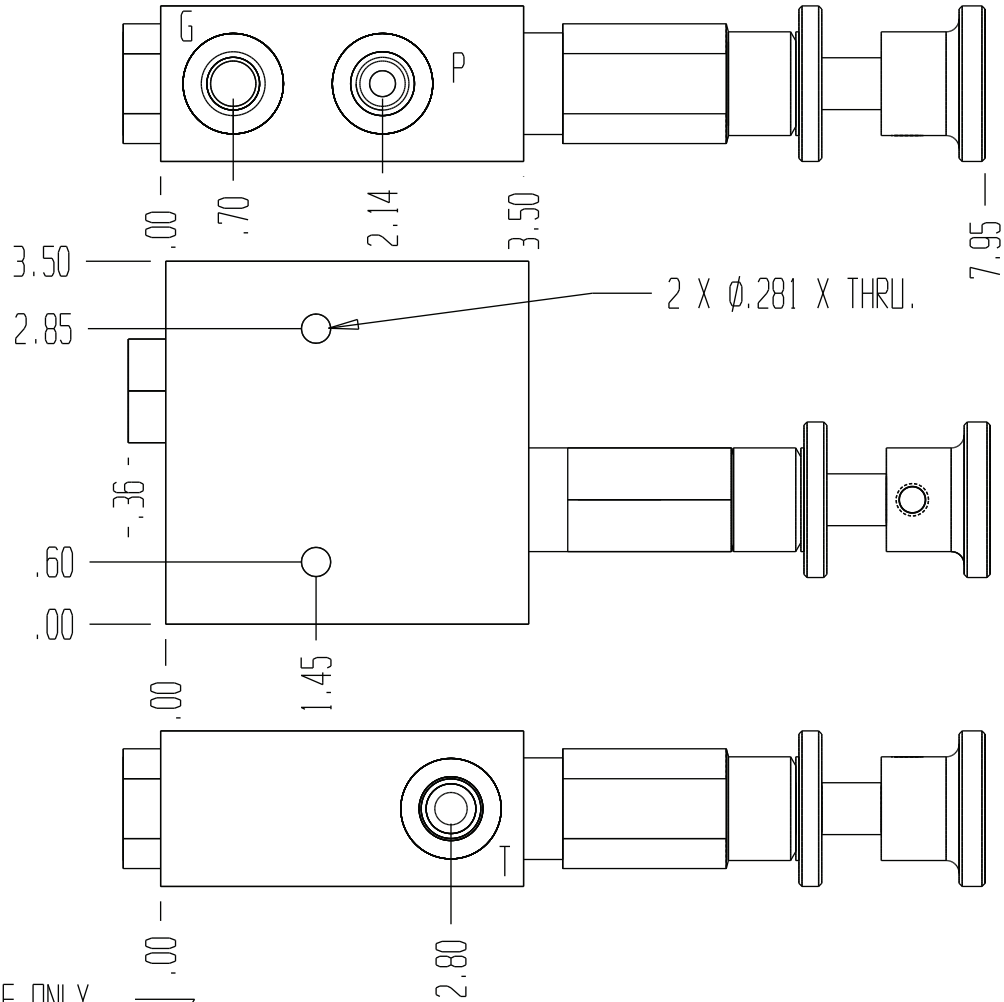
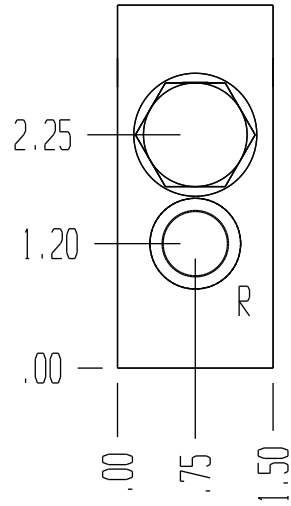


8015-X

OMIT = NO ORIFICE IN PORT "P"
 1 = .062 ORIFICE IN PORT "P"



ADJUSTABLE PRESSURE REDUCING VALVE
 WITH GAUGE PORT AND FREE FLOW
 REVERSE CHECK. APPLICATION INCLUDES
 HOLD DOWN FORCE.

| GENERAL SPECIFICATIONS | |
|------------------------|---|
| PRESSURE | 5,000 PSI WORKING |
| FLOW RATE | 15 GPM |
| MEDIA | PETROLEUM MINERAL BASE SAE 20. OTHER BASES MAY REQUIRE SEAL CHANGES. |
| SEAL KIT | 5070 & 5075 |
| LEAKAGE | EXTERNAL - NONE. |