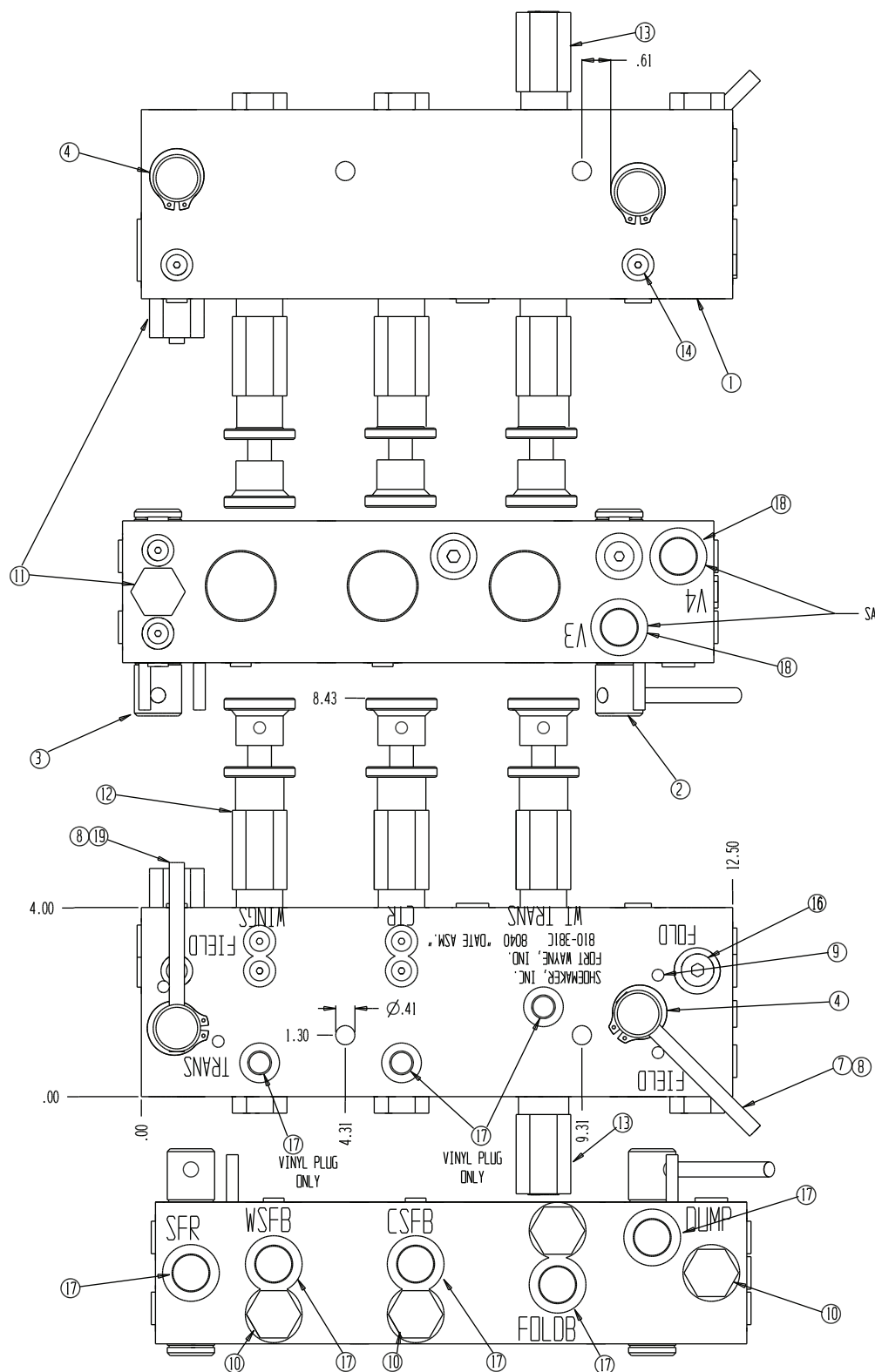
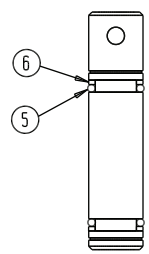
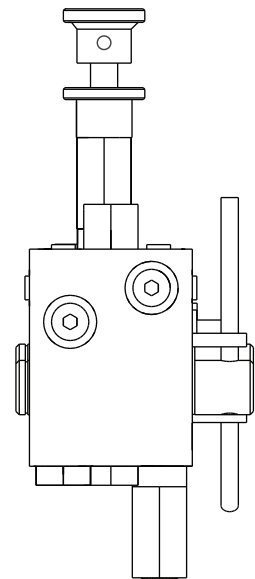


ITEM	QUANTITY	PART NUMBER	DESCRIPTION
1	1	5165	BODY
2	1	5159	SPOOL, SELECTOR
3	1	5169	SPOOL, SHUT OFF
4	4	1079	RING, RETAINING
5	4	1100-210	O-RING
6	4	1089-210	RING, BACK-UP
7	1	1285	HANDLE
8	2	5034	SLEEVE
9	4	1284	PIN, STOP
10	3	CP2-10-0	CARTRIDGE, CHECK
11	1	PCP1L-10-30-30	CARTRIDGE, PILOT CHECK
12	3	PRP1L-10-K-25	CARTRIDGE, PRESSURE REDUCING
13	1	RO1R-10-F-18/11	CARTRIDGE, RELIEF
14	11	1132-02	PLUG, O-RING
15	9	1132-04	PLUG, O-RING
16	1	1132-06	PLUG, O-RING
17	9	1219-6	PLUG, VINYL FOR STORAGE
18	2	1219-08	PLUG, VINYL FOR STORAGE
19	1	1530	HANDLE, .312 X 5.0
20	0	8 PCS. 5075	SEAL KIT
21	0	2 PCS. 1184	SEAL KIT
22	0	5813	MASTER SEAL KIT. INCLUDES ITEMS 20 & 21



- NOTES: 1. PORTS "V3" AND "V4" ARE SAE NO. 08 (.75-16 O-RING).
2. ALL OTHER PORTS INCLUDING GAUGE PORTS ARE SAE NO. 06 (.56-18 O-RING).
3. SEE DRAWING 8040-22 FOR HYDRAULIC SCHEMATIC.

8040-12
MULTIPLE FUNCTION MANIFOLD