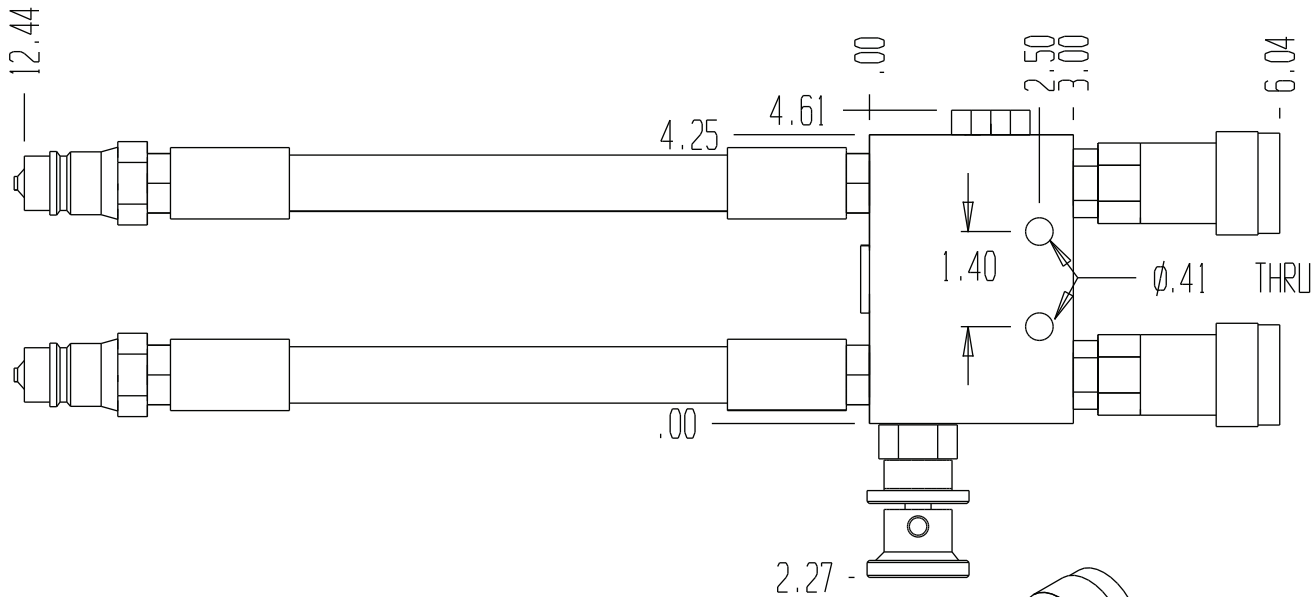
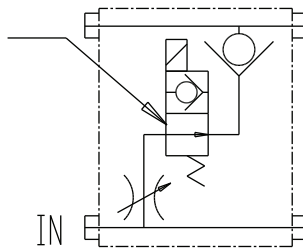


8060-X

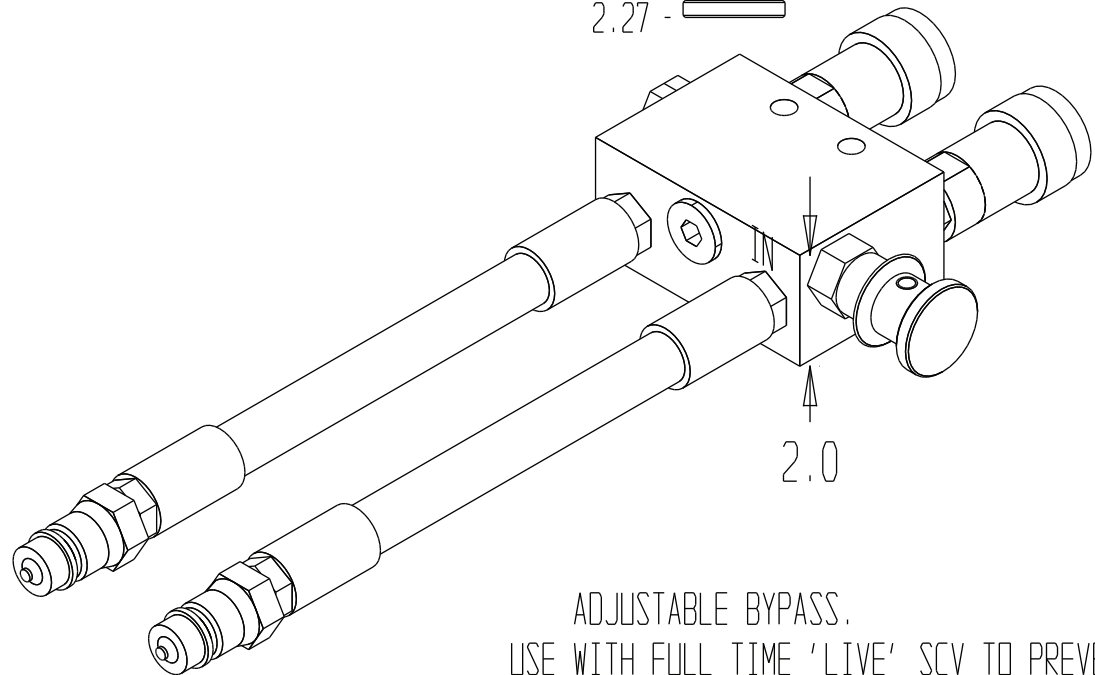
1 = OPEN FLOW BETWEEN NEEDLE CART. AND CHECK CART.
 2 = NORMALLY OPEN SOLENOID CART. BETWEEN NEEDLE
 CART. AND CHECK CART.



8060-1 HAS OPEN FLOW THRU CAVITY.
 8060-2 HAS NORMALLY OPEN SOLENOID
 CARTRIDGE THAT PERMITS THIS PATH
 TO BE CLOSED BY ELECTRIC INTERFACE.



FUNCTIONAL SYMBOL



ADJUSTABLE BYPASS.
 USE WITH FULL TIME 'LIVE' SCV TO PREVENT
 SHUT-DOWN AT LOW FLOW ON 'PRESSURE-
 FLOW COMPENSATED' TRACTOR HYDRAULIC
 SYSTEMS.

	GENERAL SPECIFICATIONS
PRESSURE	5,000 PSI WORKING
FLOW RATE	15 GPM
MEDIA	PETROLEUM MINERAL BASE SAE 20. OTHER BASES MAY REQUIRE SEAL CHANGES.
SEAL KIT	
LEAKAGE	EXTERNAL - NONE.